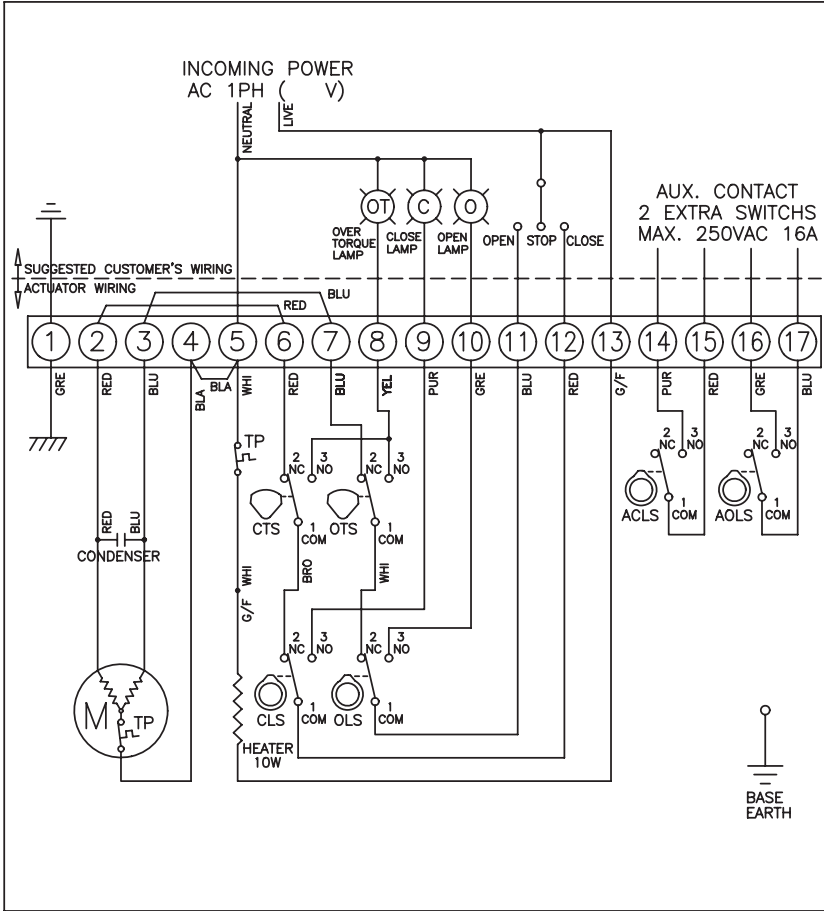


## Standard Type (1- phase, 50/60Hz)

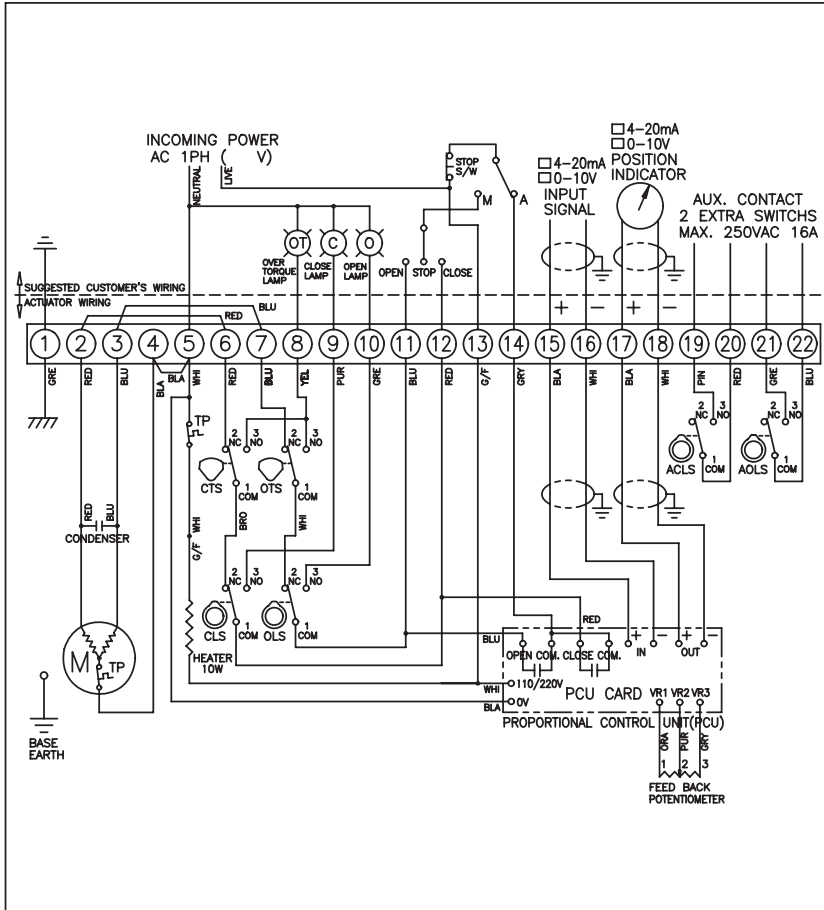


TORQUE AND LIMIT SWITCH OPERATION			
SWITCH	CLOSE ←	INTERMEDIATE	→ OPEN
CLS 1-2			
CLS 1-3			
OLS 1-2			
OLS 1-3			
ACLS1-2			
ACLS1-3			
AOLS1-2			
AOLS1-3			
CTS 1-3	* CLOSING TORQUE SWITCH INTERRUPTS CONTROL IF MECHANICAL OVERLOAD OCCURS DURING CLOSING CYCLE		
OTS 1-3	* OPENING TORQUE SWITCH INTERRUPTS CONTROL IF MECHANICAL OVERLOAD OCCURS DURING OPENING CYCLE		
SYMBOL	DESCRIPTION	RATING	
CLS	CLOSE LIMIT SWITCH	250VAC 10A	
OLS	OPEN LIMIT SWITCH	250VAC 10A	
CTS	CLOSE TORQUE SWITCH	250VAC 10A	
OTS	OPEN TORQUE SWITCH	250VAC 10A	
ACLS	AUX. CLOSE LIMIT SWITCH	250VAC 16A	
AOLS	AUX. OPEN LIMIT SWITCH	250VAC 16A	
TP	THERMAL PROTECTOR	250VAC 15A	

\*EACH ACTUATOR SHOULD BE POWERED THROUGH IT'S OWN INDIVIDUAL SWITCH OR RELAY CONTACTS TO PREVENT CROSS FEED BETWEEN TWO OR MORE ACTUATORS.

DRAW	P.S. KIM	CHECK	
DESIGN	S.M. HAN	APPR.	
PART NAME 1PH WIRING DIAGRAM STANDARD			
HQ-200	DWG. NO HQ-11000-A		
HQ-080	ISSU. DEPT. HADR	DATE	2001.05.10
HQ-030			
HQ-015	Automation Technologies		
APPLICATION			

## Proportional Type (1- phase, 50/60Hz)



TORQUE AND LIMIT SWITCH OPERATION			
SWITCH	CLOSE ←	INTERMEDIATE	→ OPEN
CLS 1-2			
CLS 1-3			
OLS 1-2			
OLS 1-3			
ACLS1-2			
ACLS1-3			
AOLS1-2			
AOLS1-3			
CTS 1-3	* CLOSING TORQUE SWITCH INTERRUPTS CONTROL IF MECHANICAL OVERLOAD OCCURS DURING CLOSING CYCLE		
OTS 1-3	* OPENING TORQUE SWITCH INTERRUPTS CONTROL IF MECHANICAL OVERLOAD OCCURS DURING OPENING CYCLE		
SYMBOL	DESCRIPTION	RATING	
CLS	CLOSE LIMIT SWITCH	250VAC 10A	
OLS	OPEN LIMIT SWITCH	250VAC 10A	
CTS	CLOSE TORQUE SWITCH	250VAC 10A	
OTS	OPEN TORQUE SWITCH	250VAC 10A	
ACLS	AUX. CLOSE LIMIT SWITCH	250VAC 16A	
AOLS	AUX. OPEN LIMIT SWITCH	250VAC 16A	
TP	THERMAL PROTECTOR	250VAC 15A	

\*EACH ACTUATOR SHOULD BE POWERED THROUGH IT'S OWN INDIVIDUAL SWITCH OR RELAY CONTACTS TO PREVENT CROSS FEED BETWEEN TWO OR MORE ACTUATORS.

DRAW	P.S. KIM	CHECK	
DESIGN	S.M. HAN	APPR.	
PART NAME 1PH WIRING DIAGRAM PCU			
HQ-300	DWG. NO HQ-15000-A		
HQ-200	ISSU. DEPT. HADR	DATE	2001.05.10
HQ-080			
HQ-030	Automation Technologies		
HQ-015			
APPLICATION			

\* Wiring drawings are provided upon request.