

# TACOSSETTER RONDO

## BALANCING VALVE



Direct regulation and indication of flows to consumers.

### DESCRIPTION

Direct hydraulic balancing and control of flows to consumers. Balancing valves offer a quick, easy and accurate method of adjusting the flow rates through heating, ventilation, air conditioning and cooling systems. Correct balancing of hydraulic circuits allows for lower flow temperatures, resulting in more efficient and economical operation in accordance with the energy saving regulations provided for by legislation. With TacoSetter Rondo balancing valves, any qualified fitter can set the appropriate water distribution, thus avoiding investments in training and costly measuring devices.

### INSTALLATION POSITION

The balancing valve requires a straight section of pipe of the same length and diameter TacoSetter Rondo. The valve can be installed in a horizontal, vertical or inclined position. Care should be taken in order to ensure that the arrow is pointing in the direction of the flow.

### OPERATION

The flow measurement is based on the displacement principle of a baffle disk, which is inserted in a measuring tube. The movement of the baffle disc is transformed to the sight glass by a mechanical device. The scale printed on the sight glass allows the flow rate to be read with ease.

### ADVANTAGES

- Accurate and quick balancing without diagrams, tables or measuring devices
- The flow rate is displayed directly in l/min
- Variable installation position, maintenance-free, compact
- Regulating valve with isolating facility (rest leakage possible)
- Self-sealing screw connector
- Valve adjustment tool integrated in protective cover

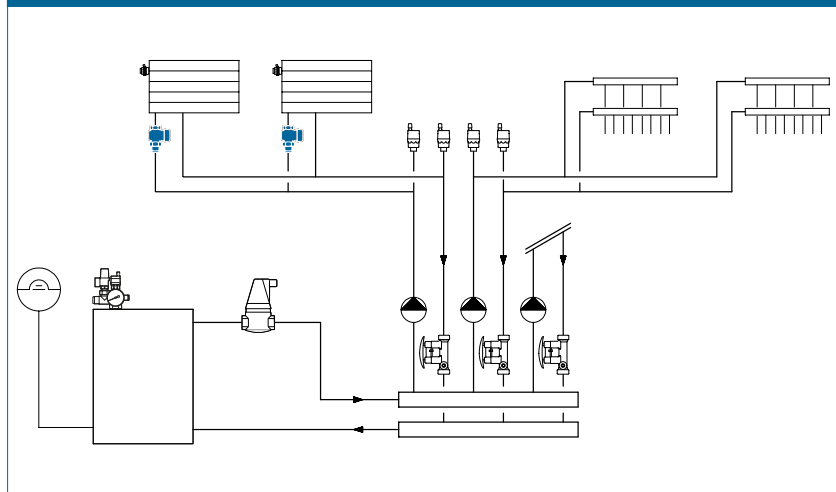
Turning the sight glass changes the opening profile of the valve and allows the desired flow rate to be set.

### BUILDING CATEGORIES

For pipe installations in heating and cooling area:

- Apartment blocks, housing estates, multiple dwelling units
- Residential care facilities and hospitals
- Administration and service buildings
- Hotels and restaurants, industrial kitchens
- School buildings and sports facilities
- Commercial and industrial buildings
- Facilities with partial use, such as barracks, camping sites

### SYSTEM/BASIC DIAGRAM



# TACOSSETTER RONDO | BALANCING VALVE

## SPECIFICATION TEXT

See [www.taconova.com](http://www.taconova.com)

## TECHNICAL DATA

### General

- Admissible operating parameters  
 $T_{0\ max}$  und  $P_{0\ max}$ : see pressure temperature curve
- Measuring accuracy:
  - <2 l/min: = ±20% of the indicated value
  - >2 l/min: = ±10% of the indicated value
- $k_{vs}$  value: 1 m<sup>3</sup>/h
- Measuring range: 0,6...8 l/min
- Female thread to DIN 2999 / ISO 7 or male thread G (cylindrical) to ISO 228

### Material

- Housing: brass
- Inside: plastic
- Sight glass: heat- and impact-resistant plastic
- Sealing: EPDM

### Fluids

- Heating water (VDI 2035; SWKI BT 102-01; ÖNORM H 5195-1)
- Cold water according to DIN 1988-7
- Water mixtures with typical anti-corrosion and anti-frost additives

## TYPE OVERVIEW

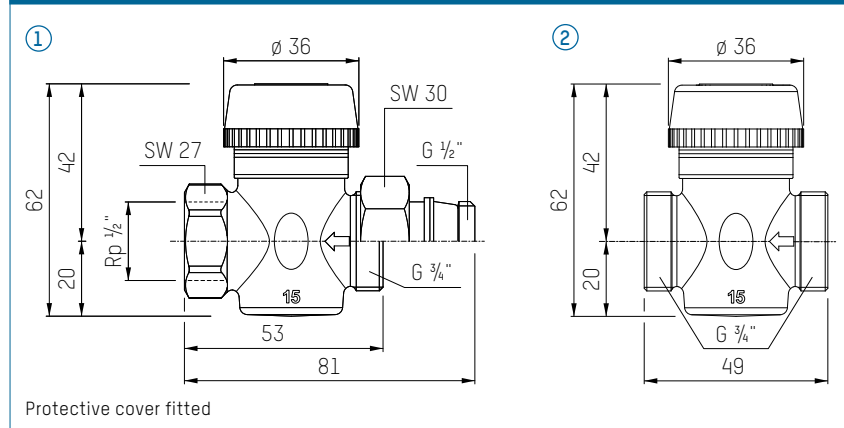
TacoSetter Rondo | Balancing valve with screw connector

Order no.	DN	Thread	Figure
223.3206.000	15	Rp 1/2" × G 1/2"	1

TacoSetter Rondo | Balancing valve without screw connector

Order no.	DN	Thread	Figure
223.3206.325	15	Rp 1/2" × G 3/4"	1
223.3206.341	15	G 3/4" × G 3/4"	2

## DIMENSIONAL DRAWING



## ACCESSORIES

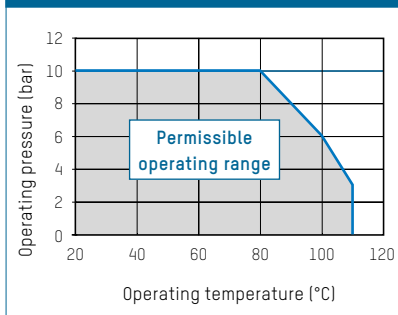


## SCREW CONNECTIONS FEMALE THREAD RP

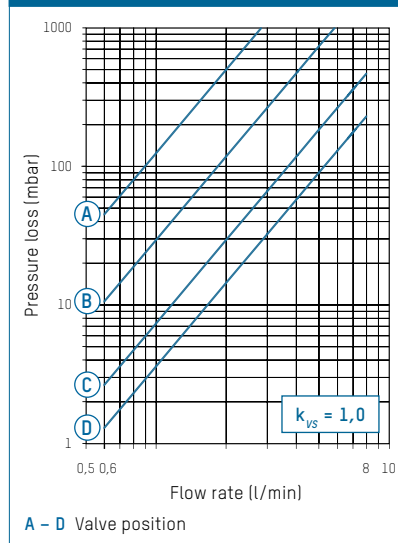
Comprises a cap nut and insert

Order no.	DN	Thread	Version for
210.6221.000	15	G 3/4" × R 1/2"	1/2" thread, conically sealing
210.6222.000	15	G 3/4" × R 1/2"	1/2" thread, self-sealing

## PRESSURE - TEMPERATURE CURVE



## PRESSURE LOSS DIAGRAM



## CONTACT AND FURTHER INFORMATION

Taconova Group AG | Neunbrunnenstrasse 40 | CH-8050 Zurich | T +41 44 735 55 55 | F +41 44 735 55 02 | [group@taconova.com](mailto:group@taconova.com)

TACONOVA.COM