

TSR8080 Series LCD Room Thermostat

TSR8080 MODBUS

1. General

TSR8080 Series Room Thermostat/Controller takes use of the most advanced international microcomputer control CMOS chip. It can inspect the environment temperature through the internal or external NTC sensor. By comparing the ambient room temperature with setting temperature, it can control the valve to reach the comfortable and constant temperature.

2. Technical Data

- 2.1. Power Supply: 230VAC or 110 Vac
or 24 Vac $\pm 10\%$, 50/60Hz
- 2.2. Consumption: <1.5W
- 2.3. Load Current: 1A
- 2.4. Accuracy: $\pm 1^\circ\text{C}$
- 2.5. Set-point Range: $10^\circ\text{C} - 30^\circ\text{C}$
 $50^\circ\text{F} - 86^\circ\text{F}$
- 2.6. Timing Error: <1%



IMPORTANT:

Do not install this thermostat in condensing, wet or damp environment, Moisture may cause damage to the thermostat / controller

3. Characteristics



- NTC
- Digital LCD Display, Backlight
- Setting Turn-on/off within 24 hours
- Adjustable Fan Speed; High, Medium, Low and Auto
- Attractive modern styling and smart out-looking (12mm only for surface board)
- Data Memory (EEPROM). If the power cut off accidentally, it could be continuing to work by order when power turns

TSR8080 Series LCD Room Thermostat

4. Keys and operation

⏻ : Power on/off.

Ⓜ : Mode: Cooling and heating.

⚙️ : Fan speed : Auto, High, Medium and Low setting.

▲ : Temp. up or modes selecting.

▼ : Temp. down or modes selecting.

5. Data setting:

During turn off, press Ⓜ and ⚙️ 3 seconds for 3 seconds, entering into the data setting. Then press "Mode", to choose the mode 1, mode 2

Room Temperature Measurement

When choose the mode1,

▲ room temperature up

▼ room temperature down

IP setting

When choose the mode2

The Modbus IP address is there.

▲ MOBUS IP up

▼ MOBUS IP down

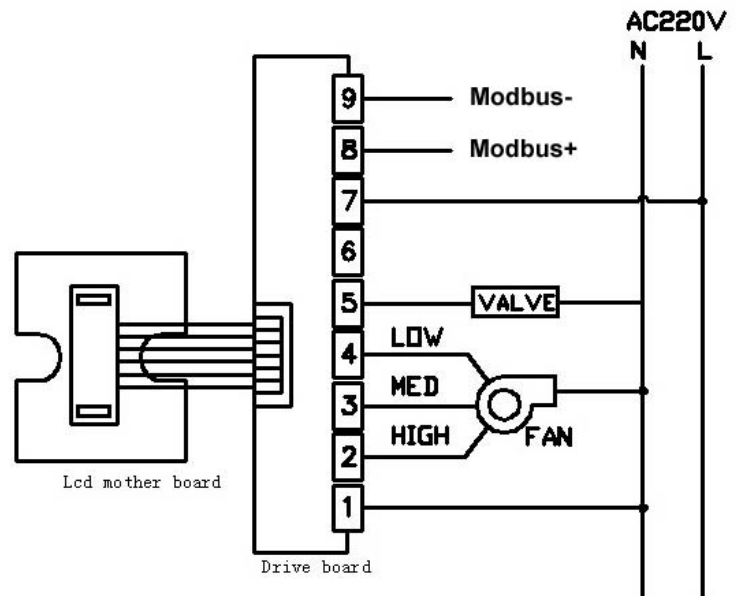
Programmable Setting

Below is an example of 7 days Programmable operation. The steps of setting for one week are 42 (from 1 to 42, please refer to following instruction and chart) Press "Function" key, and then operate as following: Minute setting of Clock---Hour setting of Clock ----Week setting-----Minute setting of turn-on(first time zone)----Hour setting of turn-off (second time zone)----Hour setting of turn-off (second time zone)-----Temp.Setting

Week	First Time Zone			Second Time Zone		
	Turn-on	Turn-off	Temp.Setting	Turn-on	Turn-off	Temp.Setting
Mon.	1	2	3	4	5	6
Tue.	7	8	9	10	11	12
Wed.	13	14	15	16	17	18
Thur.	19	20	21	22	23	24
Fri.	25	26	27	28	29	30
\Sat.	31	32	33	34	35	36
Sun.	37	38	39	40	41	42

TSR8080 Series LCD Room Thermostat

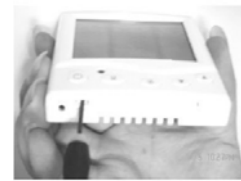
6. Wiring Diagram



7. Installation Instruction



7-1. The Power unit should be connected to the fan coil unit according to the wiring diagram (Please see wiring diagram on section 6)



7-2. Use a small size screwdriver (approx. 3.5 mm width) insert to the notch of LCD Display unit about 4 mm.



7-3 Turn up the screwdriver with a little pressure, and open the LCD unit




7-4 Please use two screws (provided) to fasten the back cover of LCD Display unit on wall or box.

HGF, \$, \$'GYf]Yg'@78 Fcca 'H\Yfa cghUh'



7-5. LCD Display Unit and power unit are connected (please connect them softly to avoid the lines from damaged).

7-6. The cover of LCD Display unit is connected on the wall or box at the angle of 30°.



K 5FB=B; D@95G9'5FF5B; 9'H<9'DFC: 9GG=CB5@H97<B=7=5B' HC' =BGH5@@ H<=G'DFC8I 7H'57 7CF8=B; ' HC' =BGH5@@5H=CB' 8F5K =B; G'5B8' =BGHF I 7H=CB''

F=G? ' C: ' 9@97HF =75@' G<C7?'' 8]gVtbbYVh' dck Yf' gi dd'mi VYZcfY' a U_]b[' Y'YVWf]W' VtbbYVh]cb''7c bHUVh' k]h' Vt'a dcbYbhg' WJffm]b[' \UnUfXci g'j c'hU[Y' WJb' WJi gY' Y'YVWf]W' g\cW' UbX'a UmfYgi 'h']b' gYj YfY' dYfgcbU']b' fmf'XYUH''


," ?Yng'UbX': i bW]cb'cZF Ya chY'7cbhf'c`Yf'fcbh]cbU'`"



Í 'A cXY'Í!!!!!!' <YUH]b[#7cc`]b['7\Ub[Y!cj Yf'Í 'D'Í!!!!!!' HYa d'Í d'ÍŽ'Í'Í '8ck b'Í!!!!!!' HYa d'8ck b'Í!Í'Í : Ub'Í!!!!!!' : Ub'GdYYX'Í 'G'YYd]b['Í!!!!' G'YYd]b[: i bW]cb'Í 'H]a]b['Í!!!!!!' H]a]b['GYh]b['Í 'GUj]b['Í!!!!!!' 9bYf[m'GUj]b['Í 'Gi dYf'Í!!!!!!' <][\ 'ghfcb['ZUb'gdYYX'Í 'Dck Yf'Í!!!!!!' H fb!cb#cZ'

- "DfcXi Vh/ '5WVggcf]Yg.'

@78'8f]j Yf' %dW
 Dck Yf'Xf]j Yf' %dW
 =bghU'' =bghfi W]cb'
 %dW
 GWYk ('dVg'
 Dck Yf'6cUfX' %dW



K 5FB=B; F=G? ' C: ' 9@97HF =75@' G<C7?''; fci bX'h\Y' h\Yfa cghUh' UVW'fX]b[' hc' `cWJ'z' bUh]cbU'z'UbX'fY[]cbU'fY[i 'Uh]cbg'' :U]i fY' hc' [fci bX' h\Y' h\Yfa cghUh' a UmfYgi 'h']b' Y'YVWf]W' g\cW' UbX' gYj YfY' dYfgcbU']b' fmf'XYUH''

HGF , \$, \$ 'GYf]Yg'@78 'F cca 'H\Yfa cghUh'

%\$''Hfci V'Yg\cch]b['

D'YUgY' a U_Y' gi fY'U[U]b']Z h\Y'k]f]b[' VtbbYVW]cb' cZ @ UbX' B '@]bY' UfY']bghU''YX' VtffYVW]mUbX'h\Y'a cXY'cZ\YUh]b[' UbX'Vt'c']b[' a UH\X'k]h\ gYH]b[' fYeI YghYX''

Bcfa U' DfcV'Ya g' '	FYUgcb' UbX' Gc' i h]cb'
Bc' FYgdcbgY'k \]Y' dck Yf']g' cb' ' .	<ul style="list-style-type: none"> - D'YUgY' W\YW_]Z h\Y' dck Yf' UbX' VtbbYVW]b[' cZ @]bY' UbX' B '@]bY']g' Uddfcd]UhY' VtbbYVW]YX'' - D'YUgY' W\YW_]Z h\Y' H i fb! cb#cZ' _Ym]g' k cf_]b[' . - 8i f]b[']bghU''Uh]cbz' \Uj Y' h\Y' @78' Xf]j Yf' d'UW]X' Z]fgh'VYZcfY' d'UW]b[' h\Y' Dck Yf' 8f]j Y' . - 8c' h\Y' W\YW_ h\Y' VtbbYVW]cb']bYg' cb' @78' 8f]j Yf' hc' Dck Yf' 8f]j Yf' .
@78' 9ffcf'	H\Y' VUW_ Vtj Yf']g' UbUa cfd\]Wk \]Y']bghU'']b[' ž' d'YUgY' fY'YUgY' cbY' cf' hk c' ZUghYb' gW]Yk g' .
Bcfa U' 8]gd'UmVi h'bc'ci hdi hi	<ul style="list-style-type: none"> - H\Y']bY' VtbbYVW]YX' k]h\ ' @78' 8f]j Yf' UbX' Dck Yf' 8f]j Yf']g' Vfc_Yb' . - D'YUgY' \Uj Y' h\Y' @78' 8f]j Yf' fYd'UW' UbX' h\Y' Dck Yf' 8f]j Yf' .
FYa chY' 7cbhfc''Yf']g' ci hcZ'Vt'bhfc''	<ul style="list-style-type: none"> - D'YUgY' \Uj Y' h\Y' VUthYf]Yg' W\YW_YX' . - FYd'UW' h\Y' fYa chY' Vt'bhfc''Yf' i b]h' .
H\Y' hYa dYfUhi fY' X]gd'Um]g']bVtffYVW]m	D'YUgY' UX' i gh' h\Y' hYa dYfUhi fY' h\ fci [\ ' dfYgg]b[' h\Y' _Ymg' cb' VcUfX' .



OEM Manufacturer

VMEC SRL

Via dell'Agricoltura, 12

37051 - BOVOLONE (VR)

Tel: +39 045 6680070 Fax: +39 045 6680267

info@vmec.it - www.systemallinone.it