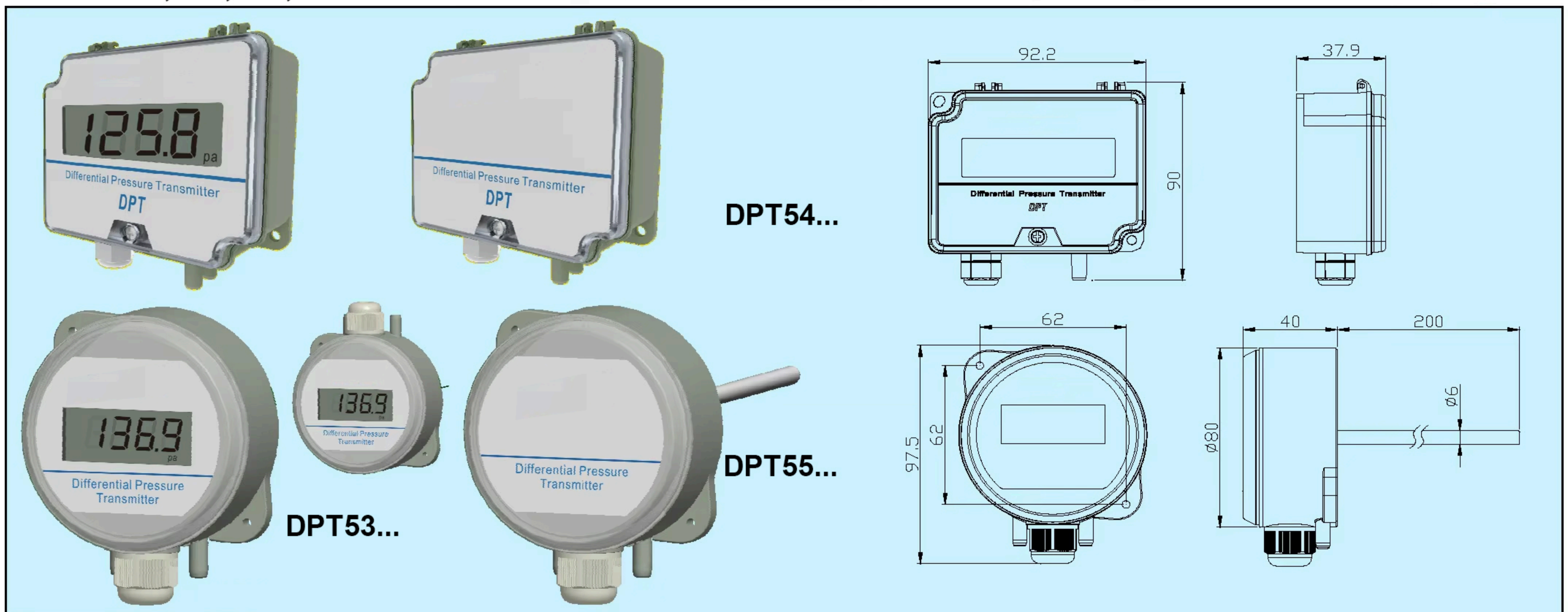


- LCD Differential Pressure Transmitter



Applications & Features

- Apply high accuracy MEMS sensor and digital technologies, can measure positive, negative or differential pressure. DPT53 and DPT54 is suitable for surface mount, DPT56 is suitable for flush mount, DPT55 with static pressure probe is suitable for duct mount
- It can measure system pressure of fan, blower, filter, furnace draft and orifice plate and can apply to various clean room, biological safety cabinet, clean bench, ducts collection, medical or pharmaceutical machine, etc.
- Multiple ranges, engineering units and outputs
- Good performance with accuracy of 1.0% and range as low as 25Pa
- Function keys: zero calibrate, unit select, response time set, etc.
- Field upgradable LCD display module and multiple ranges selectable. The LCD of DPTN/DPTD can have 180° reverse installation, meets different installation requirements and wiring methods

Specifications

Medium: non-combustible, non-corrosive air, insensitive to moisture, dust, condensation and oil
Working Temp.: -20~70°C
Medium Temp.: 0~60°C
Temp. Compensation: 0~50°C
Working Pressure: overload 10xFS, burst 15xFS
Accuracy: ±1.0%FS (±2.0%FS@25Pa range)
Long term stability: ±0.5%FS/Year
Thermal effect: <0.05%FS/°C (zero), <0.08%FS/°C (FS)
Response Time: 0.5/1/2/5s, can be set by DIP switches
Process Connection: 5mm ID tubing
Display: DPTN/DPTD: 5 digits LCD, size 44x18mm, with unit indication
DPT: 4 digits LCD, size 65x18mm, with unit indication
Output: 0~10V, 4~20mA (2 wires), 0~5V, RS485 selectable
Output Load: ≤500Ω (current), ≥2kΩ (voltage)
Power: Voltage: 16~28VAC/ 16~35VDC
Current: 18.5~35VDC (R_L=500Ω); 8.5~35VDC (R_L=0Ω)
Units: 5 units, selected by DIP switches
Zero set: easy to reset by external key
Materials: ABS+PC (housing) & PC(Cover), fire retardant UL94V-0

Protection:

Weight: DPT53,54 : 165g; DPT5XD ;200g

Approval: CE

Accessories: LCD display module (model DPT-LCD or DPTN-LCD), including 1 LCD module and 1 panel film, and flush mount panel (model DPT-A), can be ordered separately

Models

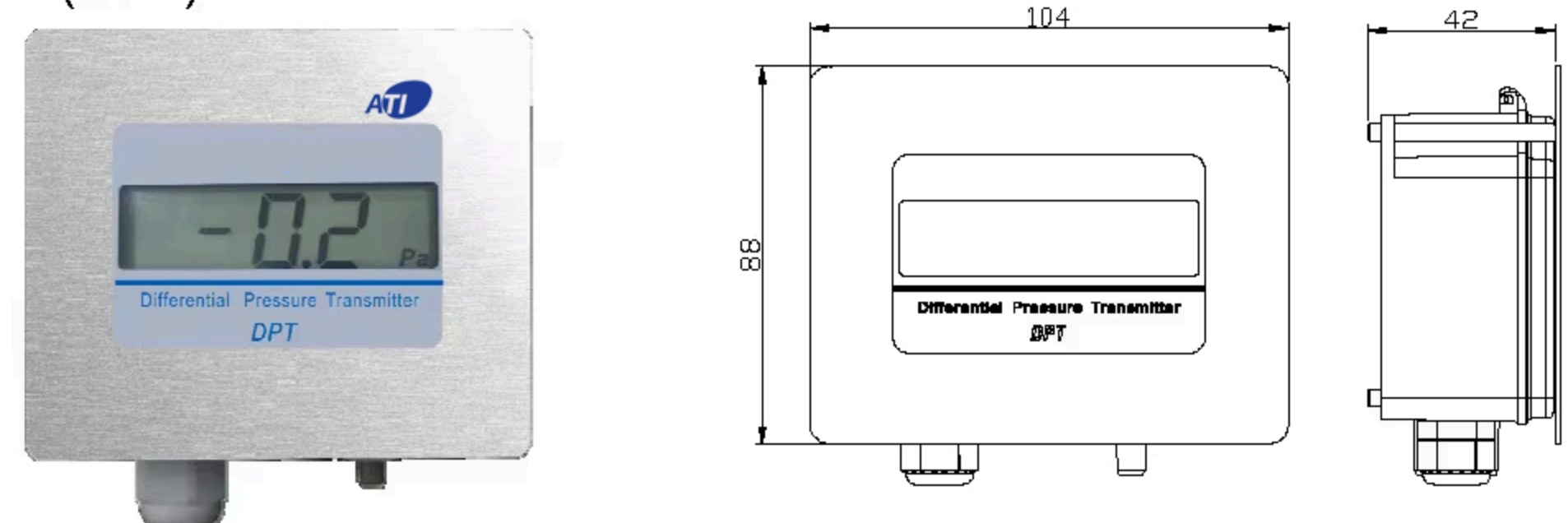
Model	DPT53 DPT54 DPT55 DPT56				Room DP transmitter Room DP transmitter Duct mount DP transmitter Flush mount DP transmitter
Range		X			Range selection
Output			1 2 E 8		0-10V 4-20mA (2 wires) 0-5V RS485/Modbus
Display				0 D	N/A LCD

If select reverse installation for LCD of DPTN or DPTD, add suffix -R after model No.

DPT56D Flush Mount DP Transmitter for clean room.

It's the combination of DPT (with LCD) and flush mount panel (model DPT-A). The specifications are the same as DPT. And the model is DPT-Fxx1(with LCD).

It's good for flush mount in various clean room or equipment. The 316 brushed stainless steel panel does not have any dust collection, easy and safe to clean. The size is W104×H88×T1.5. The opening is W93×H79×D42(mm). The LCD size is 65x18(mm).



Measuring Ranges

Code	Unit & Range & Display Resolution					
	Pa	Pa	kPa	in w.c.	mm w.c.	mbar
1	0-25/60/125	25.0	0.025	0.100	2.50	0.250
		60.0	0.060	0.250	6.00	0.600
		125.0	0.125	0.500	12.00	1.250
3	0-250/500/1000	250.0	0.250	1.000	25.00	2.500
		500.0	0.500	2.000	50.00	5.000
		1000	1.000	4.000	100.0	10.00
6	0-2500/5000/10000	2500	2.500	10.00	250.0	25.00
		5000	5.000	20.00	500.0	50.00
		10000	10.00	40.00	1000	100.0

1. Each model has 3 ranges which could be jumper selected.
2. Set the 5 engineering units by DIP switches and the related LCD indicator will be on.
3. For zero center models, add "Z" at the end of the model. For example, DPT1xxZ, means the range is -30-0-30/-62.5-0-62.5pa. 25Pa does not have this function. DPT3xxZ, means the range is -125-0-125/-250-0-250/500-0-500pa. Code 6 does not have this function.
4. For DPT/DPT-F, if the measured value is -0.xxx, the LCD will display -.xxx. When the measured value is -1xxx, the LCD will display "- xxx".