

Industrial Contacting Conductivity Sensors



Heavy duty electrodes for boiler applications

Available with ATC for most makes and models of conductivity transmitters or controllers

0.1, 1.0 and 10.0 cell constants available

Extended length version for mounting in cross

Sensorex manufactures a quality line of industrial grade conductivity electrodes for submersion or in-line mounting. All electrodes are constructed of stainless steel bodies and pins (SS316) and either teflon or peek insulator (for high temperature use "HT versions"). Automatic temperature compensation is available as an option. Model CS650HTTC is well suited for ultra-pure water applications while CS675HTTC and CS676HTTC are well suited for boiler applications. All boiler models are supplied with 6" long teflon coated wires.

SPECIFICATIONS

Wetted Materials:

STAINLESS STEEL 316 BODY AND PINS,
TEFLON OR PEEK INSULATOR, AFLAS
O-RINGS

Temperature/Pressure Ratings

Model#	Temp. Max.	Pressure Max.
CS650HT/HTTC	RTD 200C/NTC 70C	250 psig
CS675/TC	100 C	250 psig
CS675HT/HTTC	200 C	250 psig
CS676/TC	100 C	250 psig
CS676HT/HTTC	200 C	250 psig
CS675HP/HPTC	100 C	300 psig

Cell constants:

CS650 MODELS: 0.1 AND 1.0 ONLY
CS675, CS675 MODELS: 0.1, 1.0 ONLY

Wire leads: CS650 MODELS: 6" TEFLON COATED, PVC
TEFZEL COATED WIRE (CONTACT FACTORY)

Wire designations:

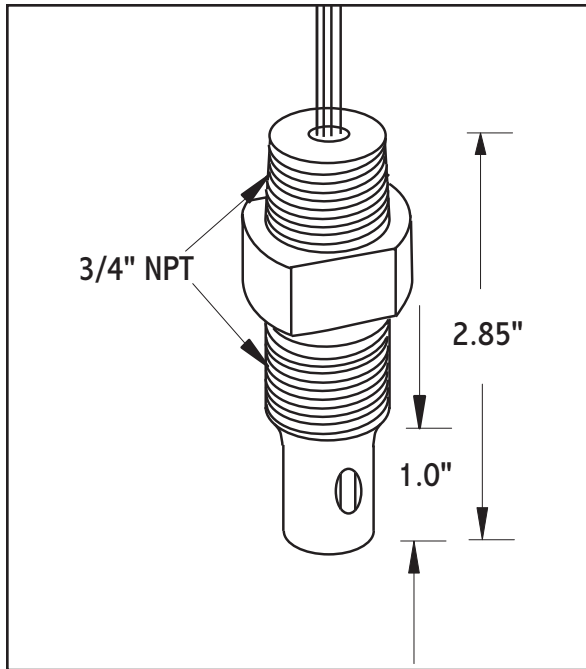
red = body
black = center pin
grn/wht = Temperature



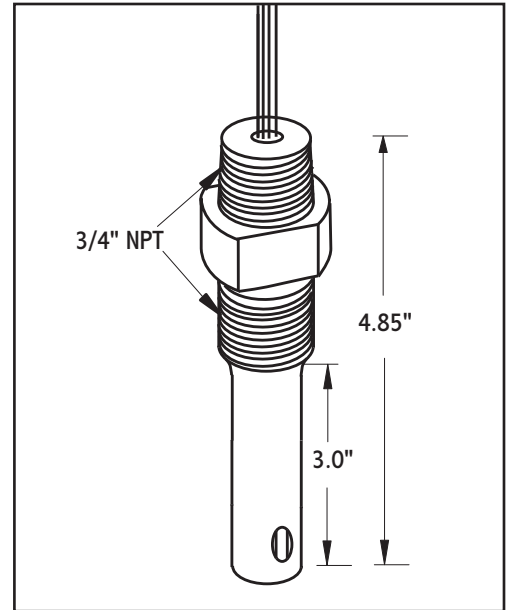
Parts covered by this specification sheet include:
CS650HT, CS650HTTC, CS675, CS675HT,CS675TC,
CS675HTTC, CS676, CS676HT, CS676TC,
CS676HTTC

Industrial Contacting Conductivity Sensors

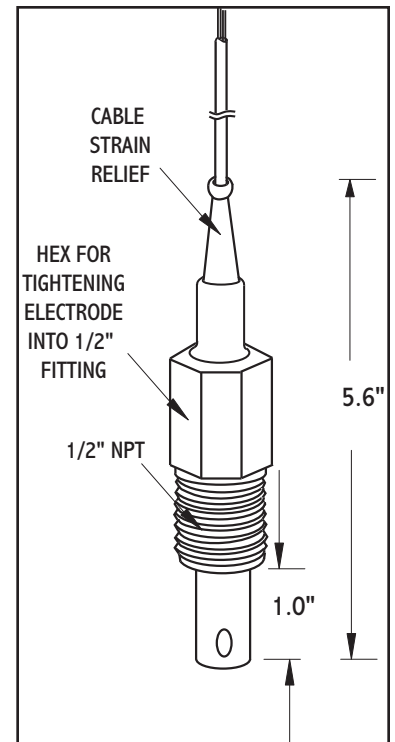
CS675TC, CS675HTTC



CS676TC, CS676HTTC,
CS676HPTC



CS650TC



Ordering Information

Model Number	Description	Specify
CS650TC	SS316 conductivity sensor with 1/2"NPT	cell constant, TC
CS650HTTC	High Temp SS316 conductivity sensor with 1/2"NPT	cell constant, TC
CS675TC	SS316 conductivity sensor with 3/4" NPT	cell constant, TC
CS675HTTC	High Temp SS316 conductivity sensor with 3/4" NPT	cell constant, TC
CS675HT	High Temp SS316 conductivity sensor with 3/4" NPT	cell constant only
CS676TC	Extended Length SS316 conductivity sensor, 3/4" NPT	cell constant, TC
CS676HTTC	High temp, ext length SS316 conductivity sensor 3/4"NPT	cell constant, TC
CS676HT	High temp, ext length SS316 conductivity sensor 3/4"NPT	cell constant only
CS675HPTC	High pressure SS316 conductivity sensor 3/4"NPT	cell constant, TC



11751 Markon Dr.
Garden Grove, CA 92841 USA
Tel: 714-895-4344
Fax: 714-894-4839
E-mail: info@sensorex.com
www.sensorex.com

Parts covered by this specification sheet include:
CS650HT, CS650HTTC, CS675, CS675HT, CS675TC,
CS675HTTC, CS676, CS676HT, CS676TC,
CS676HTTC