

2-WAY & 3-WAY CONTROL VALVES

Type NVK

SAGINOMIYA

GENERAL DESCRIPTION

- Type NVK control valves are accompanied by Saginomiya type WGK motor for two position (On-Off), floating or proportional control.
- For use with low or high pressure hot and chilled water or non-corrosive fluid.
- NVK ... 2-way valve
NVK-M ... 3-way valve (mixing valve)
- Wide model selection available for various applications.
- V-port plug provides almost linear flow characteristic.



Type NVK-G



Type NVK-F

TYPE NUMBER SELECTION (SPECIFICATIONS)

Type NVK 2-way valve

Item \ Model	NVK-****GL	NVK-****FL	NVK-****FP	NVK-W****FL
Connection	Rc	Flange (JIS 10K)	Flange (JIS 20K)	Flange (JIS 10K)
Fluid	Non-corrosive Water and Steam			
Max. Working Press.	0.98MPa {10 kgf/cm ² }		1.96MPa {20 kgf/cm ² }	0.98MPa {10 kgf/cm ² }
Fluid Temp. (°C)	0 to 200		0 to 250	0 to 200
Flow Characteristic	Equal Percentage			
Material of Body	CAC406 or CAC407	FC200	FCD-S	FC200
Material of Plug	SCS14			
Material of Seat Ring	SUS316			
Material of Stem	SUS304			

Type NVK-M 3-way valve

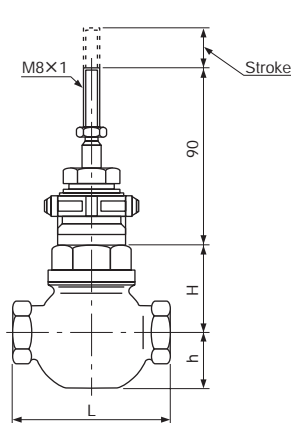
Item \ Model	NVK-M****GL	NVK-M****FL
Connection	Rc	Flange (JIS 10K)
Fluid	Non-corrosive Water for Air conditioning	
Max. Working Press.	0.98MPa {10 kgf/cm ² }	
Fluid Temp. (°C)	0 to 200	
Flow Characteristic	Equal Percentage	
Material of Body	CAC406 or CAC407	FC200
Material of Plug	SCS14	
Material of Seat Ring	SUS316	
Material of Stem	SUS304	

Type NVK 2-way valve

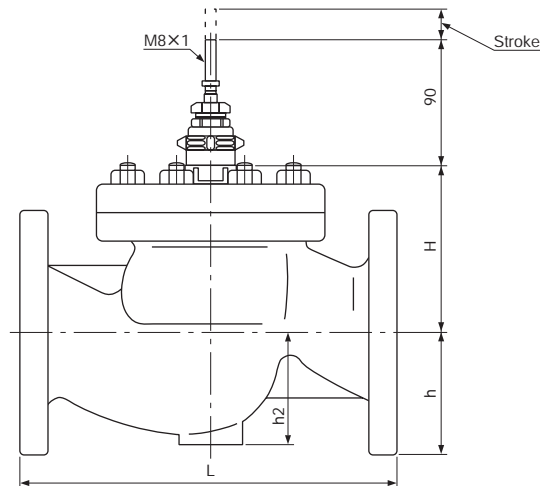
Catalog No.	Port Size (mm)	Connection		Cv	Stroke (mm)	Close off Rating MPa {kgf/cm ² }			Dimensions (mm)			Wt. (kg)		
		Tube O.D.	Style			WGK-N*A	WGK-N*S	WGK-N*L	L	H	h (h2)			
NVK-	1504GL@1	15	1/2"	Rc	1	0.98 {10}	0.98 {10}	0.66 {6.7}	0.98 {10}	80	43	28	0.9	
	2.5													
	5													
	2006GL	20	3/4"	8	0.38 {3.9}	0.98 {10}	90	48	29	1.2				
	2510GL	25	1"	12	0.24 {2.4}									
	3212GL	32	1-1/4"	20	0.95 {9.7}						0.14 {1.4}	105	50	30
	4014GL	40	1-1/2"	30	0.61 {6.2}	0.09 {0.9}	120	60	35	2.4				
	5020GL	50	2"	45	0.40 {4.1}	0.05 {0.5}	0.67 {6.8}	140	68	46	3.6			
	6524FL	65	2-1/2"	Flange (JIS 10K)	70	0.28 {2.9}	0.044 {0.45}	0.48 {4.9}	276	125	87.5	19.9		
	8030FL	80	3"		110	0.19 {1.9}	0.028 {0.29}	0.31 {3.2}	298	149	92.5	25		
	10040FL	100	4"		180	0.12 {1.2}	—	0.2 {2}	352	169	105	36		
	NVK-	1504FP@1	15	1/2"	Flange (JIS 20K)	1	1.96 {20}	1.76 {18}	1.96 {20}	190	45	47.5	3.5	
		2.5												
		5												
		2006FP	20	3/4"	8	0.38 {3.9}	0.98 {10}	194	50	50	4			
		2510FP	25	1"	12	1.57 {16}						0.24 {2.4}		
		3212FP	32	1-1/4"	20	0.95 {9.7}						0.14 {1.4}	210	53
		4014FP	40	1-1/2"	30	0.61 {6.2}	0.09 {0.9}	0.67 {6.8}	235	61	70	8.6		
		5020FP	50	2"	45	0.40 {4.1}	0.062 {0.62}	0.67 {6.8}	267	72	77.5	12		
		6524FP	65	2-1/2"	70	0.28 {2.9}	0.044 {0.45}	0.48 {4.9}	292	125	87.5	20		
8030FP		80	3"	110	0.19 {1.9}	0.028 {0.29}	0.31 {3.2}	317	149	100	28.5			
10040FP		100	4"	180	0.12 {1.2}	—	0.2 {2}	368	169	112.5	39.5			
NVK-W		4014FL@1	40	1-1/2"	Flange (JIS 10K)	20	0.98 {10}	0.98 {10}	0.98 {10}	222	110	70	10.5	
		30												
		45												
	6524FL	65	2-1/2"	70	0.81 {8.3}	0.98 {10}	276	129	(96)	18				
	8030FL	80	3"	110	0.66 {6.7}						298	156	(115)	28.5
	10040FL	100	4"	180	—						352	187	(150)	46.5
	12550FL	125	5"	260	—	403	208	(153)	63.3					
	15060FL	150	6"	380	—	451	225	(170)	90.6					
	20080FL	200	8"	630	0.69 {7}	—	543	278	(212)	167				
	250100FL	250	10"	960	0.49 {5}	—	673	319	(232)	251				

* Cv ... Flow (L/min) passing through the valve at full opening when water temperature is 15°C and pressure difference across the valve is 0.00048 MPa {0.0049 kgf/cm²}

DIMENSIONS



Type NVK-G



Type NVK-F

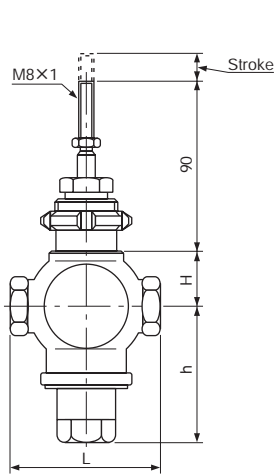
Unit: mm

Type NVK, 3-way valve (used as a mixing valve)

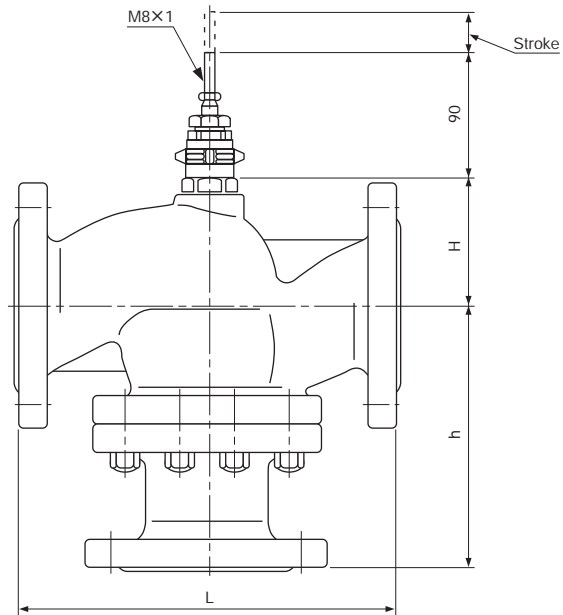
Catalog No.	Port Size (mm)	Connection		Cv	Stroke (mm)	Close off Rating MPa {kgf/cm ² }			Dimension (mm)			Wt. (kg)	
		Tube O.D.	Style			WGK-N*A	WGK-N*S	WGK-N*L	L	H	h		
NVK-M	1504GL	15	1/2"	Rc	5	20	0.98 {10}	0.38 {3.9}	0.98 {10}	80	29	72	1.1
	2006GL	20	3/4"		8							73	1.12
	2510GL	25	1"		12					90	32	77	1.45
	3212GL	32	1-1/4"		20		105	38		80	1.95		
	4014GL	40	1-1/2"		30		120	43		84	2.7		
	5020GL	50	2"		45		140	51		97	4.17		
	6524FL	65	2-1/2"	Flange (JIS 10K)	70	30	0.28 {2.9}	0.044 {0.45}	0.48 {4.9}	276	92	185	24.5
	8030FL	80	3"		110		0.19 {1.9}	0.028 {0.29}	0.31 {3.2}	298	106	215	31
	10040FL	100	4"		40	180	0.12 {1.2}	—	0.2 {2}	352	131	238	42
	12550FL	125	5"			260	0.08 {0.8}		0.13 {1.3}	403	149	263	64.5
	15060FL	150	6"			380	0.05 {0.5}		0.09 {0.9}	451	173	288	92

• Cv ... Flow (L/min) passing through the valve at full opening when water temperature is 15°C and pressure difference across the valve is 0.00048 MPa {0.0049 kgf/cm²}

DIMENSIONS



Type NVK-MG



Type NVK-MF

Unit: mm