

ROOM THERMOSTATS

Type FRS & GRS

SAGInoMIYA

GENERAL DESCRIPTION

- For heating, cooling and year-round air conditioning.
- Used for low or line voltage.
- Using a diaphragm, this control is compactly designed and front adjusting.
- Type FRS... Horizontal model
Type GRS... Vertical model
- Ambient temperature: -10 to 50°C



Type FRS-C*



Type FRS-C*S

TYPE NUMBER SELECTION (SPECIFICATIONS)

Unit: °C

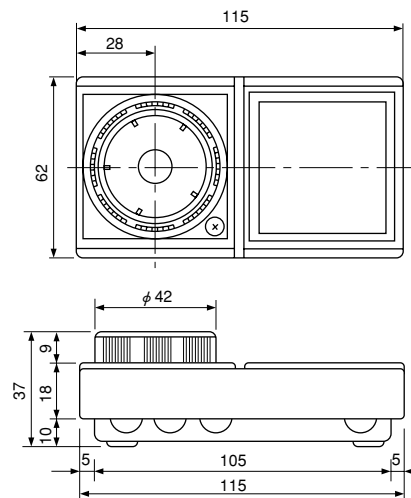
Catalog No.	Range		Control Function & Internal Wiring	Differential (in air)	Wt. (kg)		
	Min.	Max.					
FRS-C120	0	20	<p>Standard SPDT</p>	Approx. 2 (Fixed)	0.14		
GRS-C120							
FRS-C130	10	30					
GRS-C130							
FRS-C120S	0	20				<p>With Selector Switch</p>	0.26
GRS-C120S							
FRS-C130S	10	30					
GRS-C130S							

- C: Common terminal
- L: Close on temperature increase
- H: Close on temperature decrease

ELECTRICAL RATINGS

Rated Amps. (A)	Rated Voltage (V)	Power Factor (cos φ)	125V. AC	250V. AC	24V. DC
Non-Inductive Current		1	8.5	8.5	2
Inductive Current	Full Load	0.75	7	6	1
	Locked Rotor	0.45	42	36	6

DIMENSIONS



Unit: mm