



# Solenoid valve 2/2 way N.C. With pilot control

21H7KV120  
÷  
21H8KV120

## PRESENTATION:

S.V. with pilot control for interception of fluids compatible with the construction materials.

A minimum operational pressure of 0,1 bar is required.

The materials used and the tests carried out ensure maximum reliability and duration.

**USE:** Automation  
Heating

**PIPES:** G 3/8 - G 1/2

**COILS:**

8W - Ø 13	
BDA -BDS - BSA	155°C (class F)
BDP	160°C (high temperature)
BDF	180°C (class H)
SDH	180°C (class H)
12W - Ø 13	
UDA	155°C (class F)
14W - Ø 13	
GDH	180°C (class H)

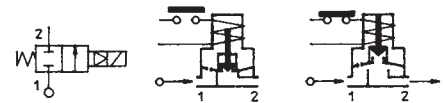
**MOULDING AND BOBBIN ARE MADE BY 100% VIRGIN MATERIAL.**

Max. allowable pressure (PS) 20 bar  
Environment temperature:  
with class **F** or high temperature coils - 10°C + 60°C  
with class **H** coil - 10°C + 80°C



Gaskets	Temperature		Medium
	- 10°C	+140°C	
<b>V</b> =FKM (fluoroelastomer)	- 10°C	+140°C	Mineral oils (2°E), gasoline gas oils
<b>B</b> =NBR (nitrile rubber)	- 10°C	+ 90°C	Air, inert gas, water
<b>E</b> =EPDM (ethylene-propylene)	- 10°C	+140°C	Water, low pressure steam

For seals other than FKM replace the letter "V" with the ones corresponding to the other seals. E.I. 21H7KE120.



Pipe ISO 228/1	Code	Max viscosity		Ø mm	Kv (l/mn)	Power (watt)	Pressure		
		cSt	°E				min bar	M.O.P.D.	
								AC bar	DC bar
G 3/8	21H7KV120	12	~ 2	12	35	8	0,1	20	10
						12			20
						14			20
G 1/2	21H8KV120	12	~ 2	12	45	8	0,1	20	10
						12			20
						14			20

The "ODE" reserves the right to carry out technical and aesthetic modifications without prior notification.

**MATERIALS:**

**Body** Brass - UNI EN 12165 CW617N  
**Welded armature tube** Stainless steel AISI series 300  
**Fixed core** Stainless steel AISI series 400  
**Plunger** Stainless steel AISI series 400  
**Phase displacement ring** Copper - Cu 99,9%  
**Spring** Stainless steel AISI series 300  
**Seal** Standard: V=FKM  
 On request: B=NBR E=EPDM  
**Orifice** Brass - UNI EN 12165 CW617N

**On request:**  
**Connector** Pg 9 or Pg 11  
**Connector conformity** ISO 4400

**FEATURES:**

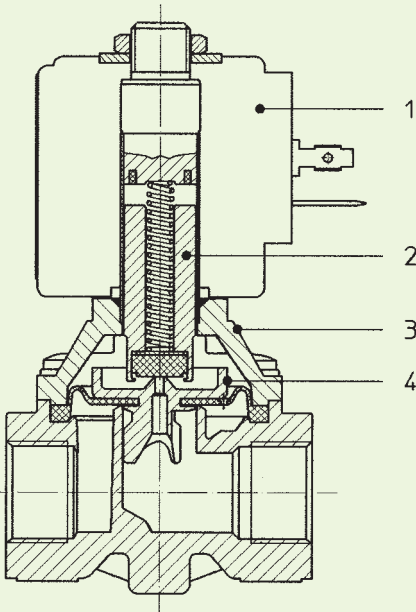
**Electrical conformity** IEC 335  
**Protection degree** IP 65 EN 60529 (DIN 40050)  
 with coil fitted by connector.

**SPARE PARTS:**

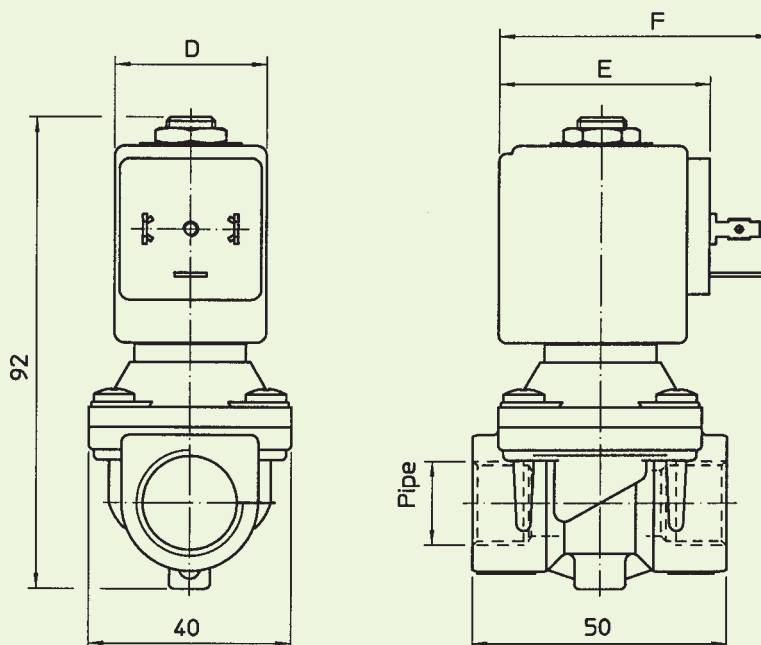
1. **Coil:**  
See coils list
2. **Complete plunger:**  
Code R451284/V
3. **Complete cover with armature tube:**  
Code R450938
4. **Complete diaphragm:**  
Code R450916/V

**MAINTENANCE KIT:**

KTG0H7KV12=2+4



**DIMENSIONS:**



Type	Pipe ISO 228/1
21H7KV120	G 3/8
21H8KV120	G 1/2

COIL W	POWER ABSORPTION		TYPE	DIMENSIONS		
	Inrush VA~	Hold VA~		D mm	E mm	F mm
8 W	25	14,5	B	30	42	54
			S	32		
12 W	35	25	U	36	48	60
14 W	43	27	G	52	55	67