



RAA20

가

2- AC 24...250 V

RAA20

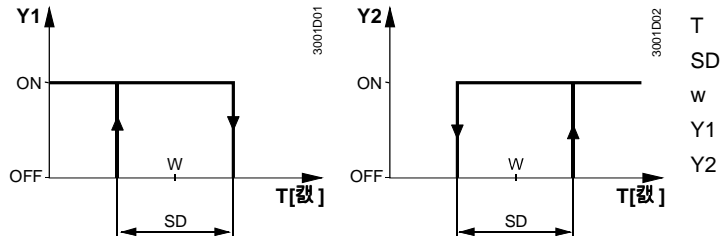
-
-

가

- , (Thermal valve)
- 가
-
-

RAA20

가
가



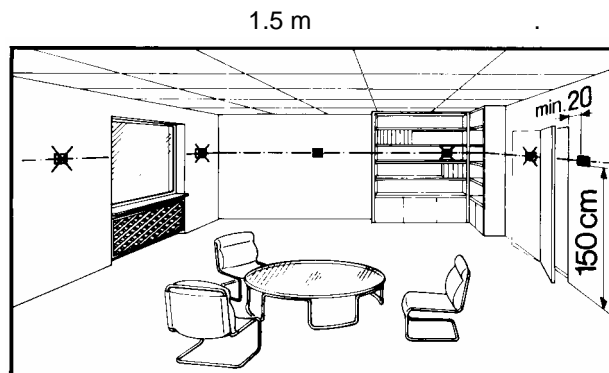
		Data Sheet	
2	DN15	MVE21.15	CE1N4828
2	DN20	MVE21.20	CE1N4828
2	DN25	MVE21.25	CE1N4828
3	DN15	MXE21.15	CE1N4828
3	DN20	MXE21.20	CE1N4828
3	DN25	MXE21.25	CE1N4828
(: VD... / VE... / VU... and 2T...)		STE21.1	CA1N4874

RAA20

- 2-
- 가

가

, 가



가

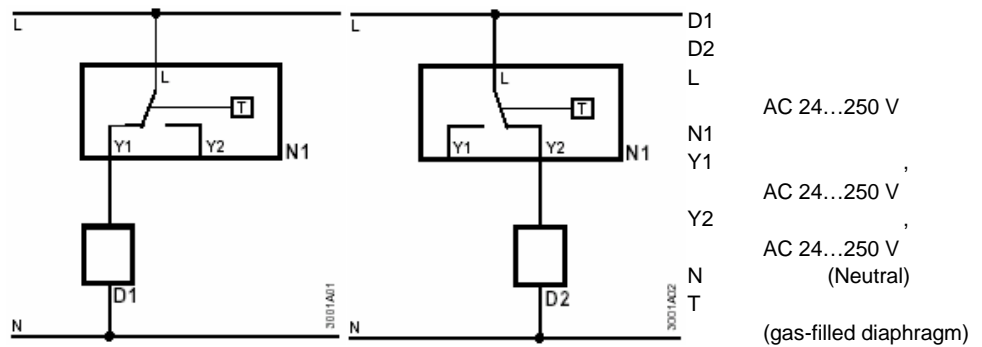
. (: 250 V!).



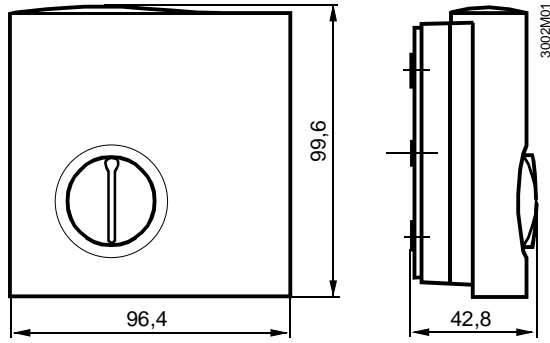
가 가



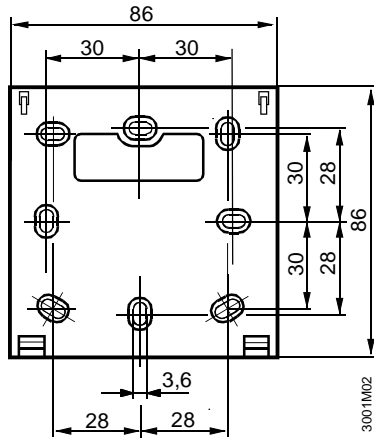
	AC 24...250 V
	50 or 60 Hz
	≤1K
	8...30 °C
AC 250 V	0.2...6 (2) A
	to IEC 721-3-3 class 3K5 0...+50 °C <95 % r.h. normal, to EN 60730
/	to IEC 721-3-2 class 2K3/1K3 -20...+50 °C <95 % r.h. class 2M2
	/ 20 pieces
CE conformity	
Low voltage directive	73/23/EEC and 93/68/EEC
Product standard	EN 60730
C^{N474} C-Tick conformity to	
EMC emission standard	AS/NSZ 4251.1:1994
Safety standard	II to EN 60730
Insulation standard	IP30 to EN 60529
	2 x 1.5 mm ² or 1 x 2.5 mm ² min. (0.5 mm ²)
	0.14 kg
	white, NCS S 0502-G (RAL 9003)



)



(Base Plate)



: mm