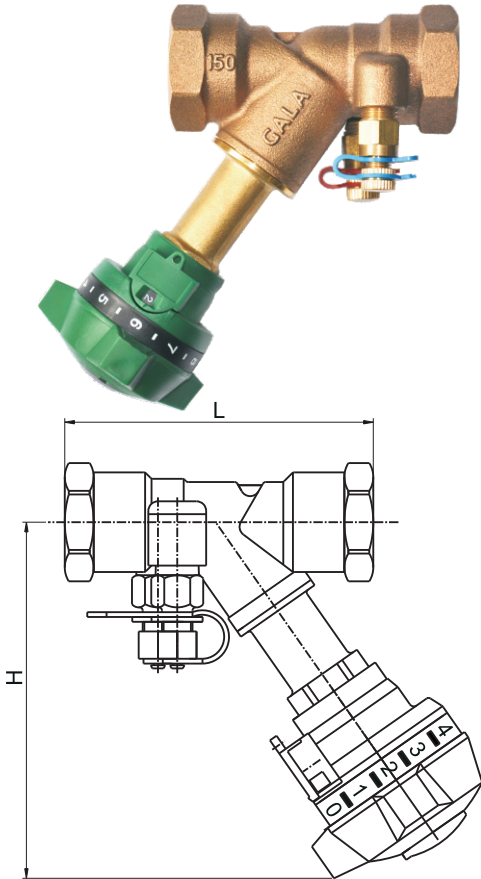


# PN25

# Fixed Orifice Double Regulating Valve

## DRVF 1209-BT

Threaded BS21(ISO7) for Single Unit Systems Conforms to BS7350



### Specification

Y-pattern globe valves having characterised throttling disk tending towards equal percentage performance. Integral square edged entrance orifice plate and insertion test points fitted. Double regulating feature allows valve opening to be set with an Allen key. Operation of the valve is by means of the Microset hand wheel.

### End Connection

Size 1/2" to 3/4": threaded to BS 2779(ISO7)

Size 1" to 2": threaded to BS10266(ISO7)

Also available threaded to ANSI B1.20.1

Adaptor kits for use with copper tube also available

### Application

This single unit-commissioning valve is designed for installation in circuits where combined functions of regulation and flow measurement are required. Accuracy of flow measurement is ±5% across all hand wheel settings.

### Pressure Temperature Ratings

Temperature °c	-10 to 100	110	120
Pressure (Bar)	25	23.4	21.8

### Materials

Part	Material	Specification	Part	Material	Specification
Body	Bronze	BSEN1982 CC491K	Disc(25-50)	Brass+PTFE	BSEN 12165 CW602N
Bonnet	Brass	BSEN12165 CW602N	'O' Ring Seal	EPDM Rubber	Commercial
Stem	Brass	BSEN12165 CW602N	Orifice Insert	Brass	BSEN 12165 CW602N
Disc(15-20)	Brass	BSEN12165 CW602N	Hand Wheel	Plastic	Commercial

### Dimensions, Coefficients

Nom. Size	Dimensions(mm)	Flow Kv	Head loss K	Kvs		
					L	H
1/2	DN15	90	109	2.13	12.65	2.38
3/4	DN20	98	110	3.48	22.80	4.13
1	DN25	105	125	5.86	18.36	13.96
1 1/4	DN32	120	128	12.36	16.37	20.22
1 1/2	DN40	130	145	20.27	12.53	27.41
2	DN50	150	148	31.28	14.53	52.36