

Datasheet

RET Electronic Room Thermostat

Features



The RET 230 is a range of electronic room thermostats offering improved thermal performance and status indication compared to that of electro-mechanical equivalents.

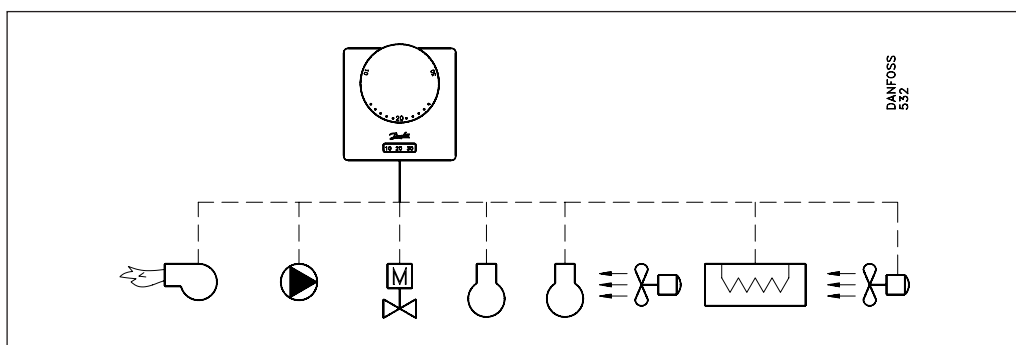
For ease of mounting, RET is based upon a wallplate construction which is fitted and wired before the thermostat is mounted.

Additional features available in the RET range include:

- Electronic accelerator heater
- LED status indication
- Night set-back option
- Voltage free outputs

Please refer to table below for details.

Application



Ordering Codes and Data

Type	Code No	Electronic Accelerator	Night Set-Back	LED Status Indicators		Comment
				Power On (1)	Stat Calling (2)	
RET230	087N700400	.			.	
RET230L	087N700600	.		.	.	
RET230VF2	087N700801	.			.	Volt free contacts
RET230NSB	087N701000	.	.	• (3)	.	Night set-back achieved using external time control
RET230F	087N701200	No				Frost thermostat
RET230F5	087N701300	No				Frost thermostat, fixed 5°C

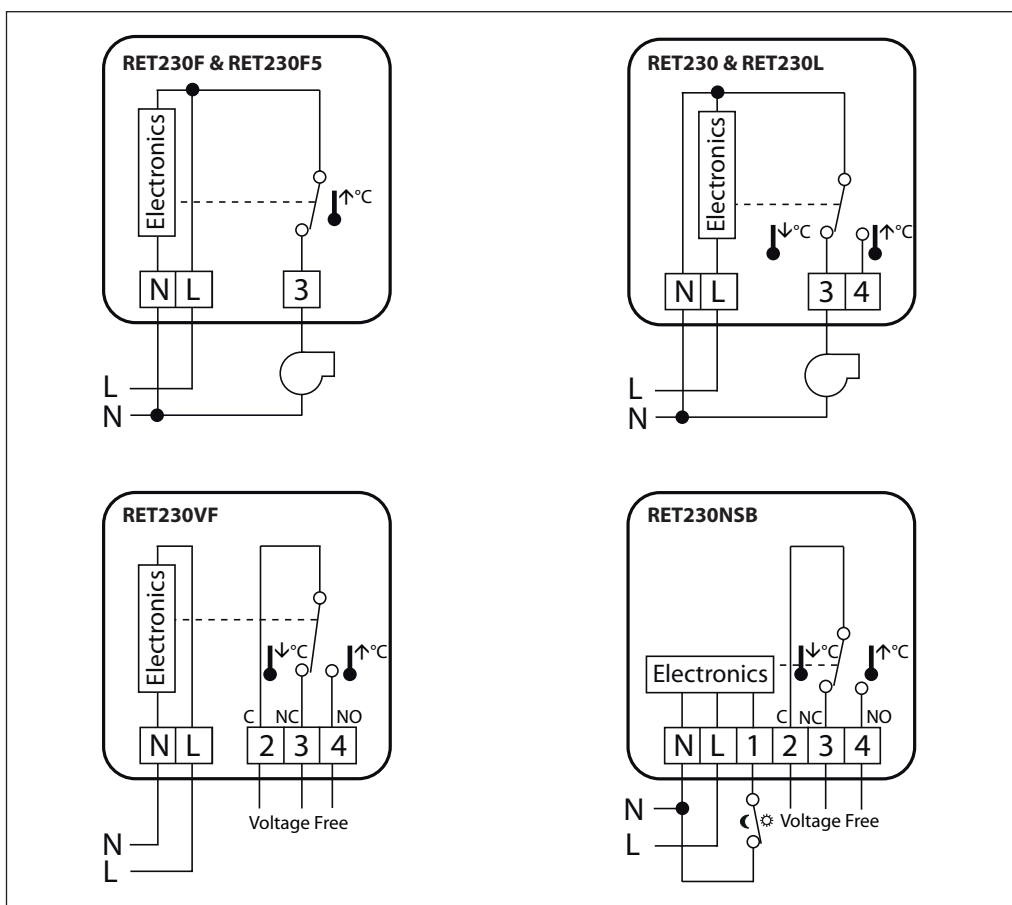
(1) 'Power On' indicator is lit when power is applied to thermostat.

(2) 'Calling' indicator is lit when thermostat relay is closed and calling for heat.

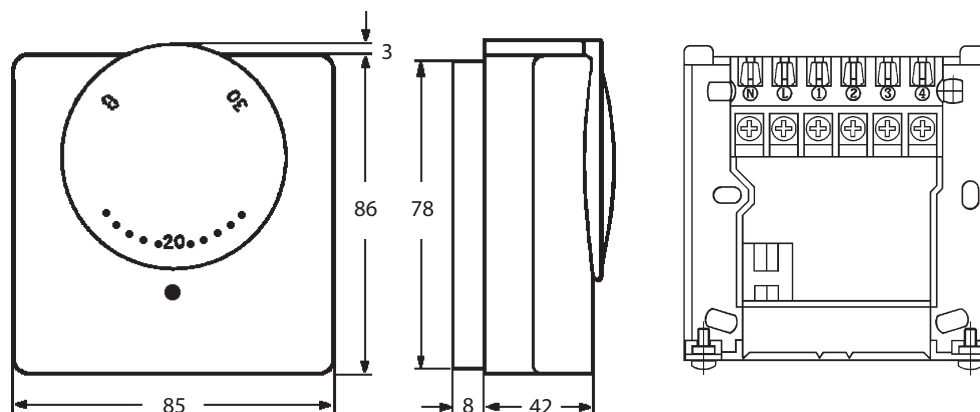
(3) In Night Set-Back version, 'Power On' LED changes colour during night set-back period.

Specifications	RET230F5	RET230F	RET230/RET230L	RET230VF2/RET230NSB
Switching Differential	<1K	<1K	<1K	<1K
Temperature Range	5°C fixed	5-10°C	5-30°C	5-30°C
Operating Voltage	220/240Vac	220/240Vac	220/240Vac	220/240Vac
Sw. Type (common linked internally)	SPST	SPST	SPDT	-
Sw. Type (voltage free contacts)	-	-	-	SPDT
Contact Current Rating	3 (1) A	3 (1) A	3 (1) A	3 (1) A
Locking and Limiting Feature	Yes	Yes	Yes	Yes
Dimensions (mm) - height x width x depth	86 x 85 x 42	86 x 85 x 42	86 x 85 x 42	86 x 85 x 42

Electrical Connection



Dimensions



Danfoss can accept no responsibility for possible errors in catalogues, brochures, and other printed material. Danfoss reserves the right to alter its products without notice. This also applies to products already on order provided that such alterations can be made without subsequent changes being necessary in specifications already agreed. All trademarks in this material are property of the respective companies. Danfoss and the Danfoss logotype are trademarks of Danfoss A/S. All rights reserved.



Danfoss Randall Ltd.

Amphill Road
 Bedford MK42 9ER
 Tel: 0845 1217 400
 Fax: 0845 1217 515
 Email: danfossrandall@danfoss.com
 Website: www.danfoss-randall.co.uk