

Fixed Orifice Double Regulating Valve (FODRV) Balance D931/D933/D934 PN25



Specification

The Double Regulating Valve, with its integral fixed orifice design, offers an accuracy of $\pm 5\%$ on all settings, for precise flow regulation and measurement.

They are Y-pattern globe valves having characterised throttling disc tending towards equal percentage performance. Integral square edged entrance orifice plate and P84 insertion test points fitted. Double regulating feature allows valve opening to be set with an Allen key. Operation of the valve is by means of the Microset hand wheel. The Double Regulating feature allows the valve to be used for isolation and to be re-opened to its pre-set position to maintain required flow rate.

End Connection

Sizes 1^{1/2} to 2^{1/2} taper threaded to BS EN 10226-2 (ISO 7-1) formerly BS 21.
 Sizes 1/2^{1/2} & 3/4^{1/2} DN15 & DN20 BS 2779 (ISO 228) parallel
 Adaptor kits for use with copper tube also available
 Also available threaded to ANSI B1.20.1AT
 Order code D931AT/D933AT/D934AT

Application

D933 size 1/2^{1/2} low flow FODRV combines the functions of regulation and flow measurement in a unit of high authority making it particularly suitable for low flow applications in the range of 0.03 to 0.07 l/s.
 D934 size 1/2^{1/2} ultra low flow FODRV combines the functions of regulation and flow measurement in a unit of high authority making it particularly suitable for ultra low flow applications in the range of 0.016 to 0.04 l/s.

Conforms to BS 7350* : 1990

Materials

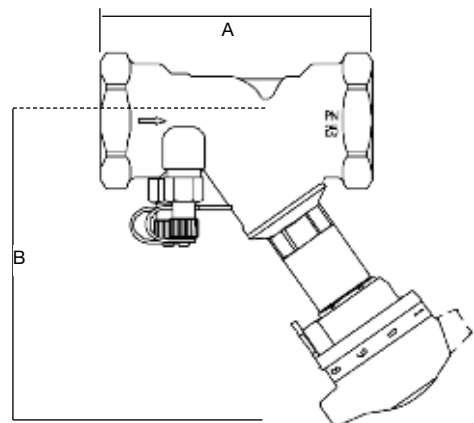
PART	MATERIAL	SPECIFICATION
Body	Bronze	BS EN 1982 CC491K
Bonnet	DZR copper alloy	BS EN 12165 CW602N
Stem	DZR copper alloy	BS EN 12164 CW602N
Disc	DZR copper alloy	BS EN 12164/5 CW602N
'O' Ring Seal	EPDM Rubber	
Orifice Insert	DZR copper alloy	BS EN 12164 CW602N
P84 test valve	DZR copper alloy	BS EN 12164 CW602N
Hand Wheel	Plastic	

Dimensions, Coefficients and Weights

FIG. NO.	NOM. SIZE	DIMENSIONS (mm)		FULLY OPEN		KV _s	WEIGHT (kg)
		A	B	FLOW (Kv)	HEAD LOSS (K)		
D931	1/2 ^{1/2} DN15	87	105	1.87	30.27	2.2	0.61
	3/4 ^{1/2} DN20	96	106	3.14	34.55	4.7	0.65
	1 ^{1/2} DN25	100	127	5.59	27.85	8.6	0.95
	1 1/4 ^{1/2} DN32	114	128	10.80	22.60	16.6	1.13
	1 1/2 ^{1/2} DN40	125	143	18.10	14.76	24.5	1.52
	2 ^{1/2} DN50	146	144	29.10	14.62	46.1	1.98
D933	1/2 ^{1/2} DN15	87	105	1.06	94.20	1.1	0.61
D934	1/2 ^{1/2} DN15	87	105	0.57	325.8	0.58	0.61



Dimensional Drawing



Pressure/Temperature Ratings

Threaded

TEMPERATURE (°C)	-10 to 100	110	120
PRESSURE (BAR)	25	23.4	21.8

Compression

TEMPERATURE (°C)	-10 to 30	65	120
PRESSURE (BAR)	16	10	5

Intermediate pressure ratings shall be determined by interpolation.

Maximum temperature 120°C

Note: In line with BS EN 1254/2, the maximum pressure must not exceed 16 bar when using compression adaptors

*Except pressure rating exceeds BS

Every effort has been made to ensure that the information contained in this publication is accurate at the time of publishing. Crane Ltd assumes no responsibility or liability for typographical errors or omissions or for any misinterpretation of the information within the publication and reserves the right to change without notice.