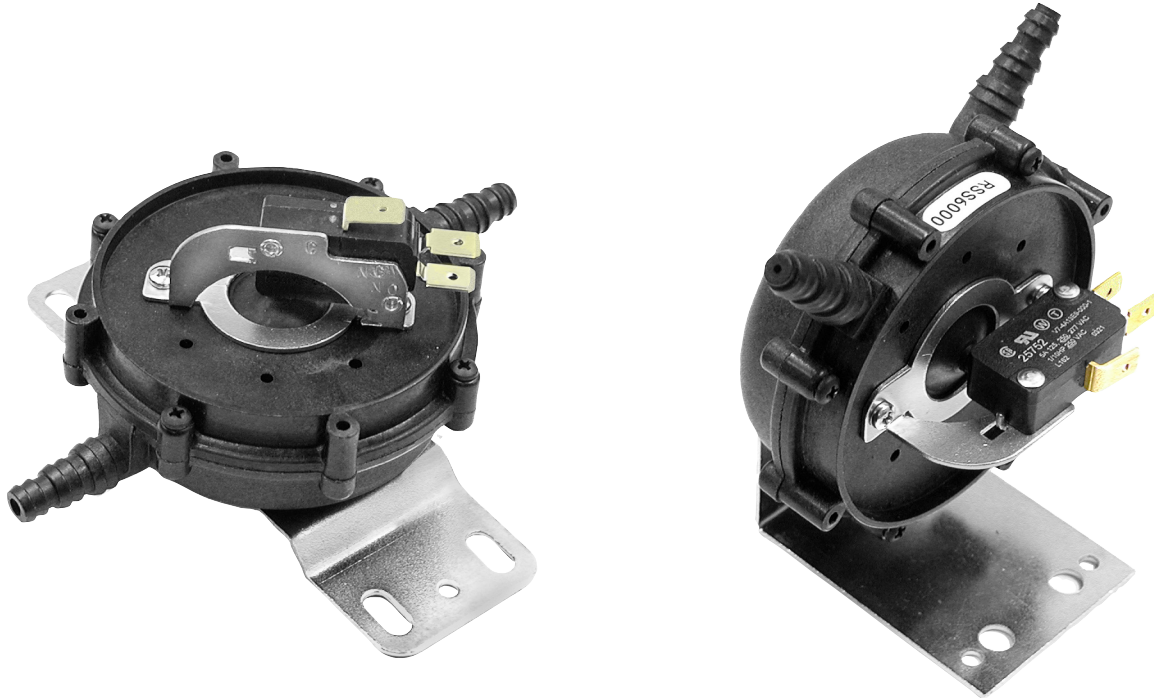




OEM AIR PRESSURE SENSING SWITCHES WITH FIXED SET POINT



APPLICATION

Series RSS-6000 switches feature customer-specified fixed set points between 0.12" w.c. and 5.00" w.c.

They can be used to sense positive, negative or differential air pressure, and are available with various sample line connections, terminal styles, and mounting arrangements.

GENERAL DESCRIPTION & OPERATION

The thermoplastic housing contains a sensing diaphragm and includes the externally-mounted snap-acting switch.

Sample line connectors are located on either or both sides of the diaphragm to accept air sample connections.

The electrical connection consists of male quick-connect terminals.

The snap action switch can be actuated by a pressure or vacuum air flow, or by a pressure or vacuum differential.

MOUNTING

Select a mounting location free from vibration. Mount with the diaphragm in any vertical plane in order to maintain the specified operating set point. Avoid mounting with the sample line connections directed upward.

Various mounting configurations are available.

AIR SAMPLING CONNECTION

Series RSS-6000 switches are available with many different types of sample line connections that accept a wide range of flexible and rigid sample line connections.

ELECTRICAL CONNECTIONS

The snap switch has male quick connect terminals in 1/4" and/or 3/16" sizes. Before pressure is applied to the diaphragm, the switch contacts will be in the deactivated position.



SPECIFICATIONS

Mounting position: mount with the diaphragm in a vertical or horizontal position.

Set point: factory set and sealed within a range of 0.12" w.c. to 5.0" wc.

Approximate switching differential: varies depending upon set point range.

Measured media: air.

Operating temperature range: -40 to 190F (-40 to 88C).

Life: 100,000 Cycles Minimum At 1 PSI maximum pressure each cycle and at maximum rated Electrical load.

Electrical rating:

- 5 Amp non-inductive to 277 V ac (60 Hz).
- 1 amp pilot duty at 120 V ac (60Hz).

Snap Switch Logic: SPDT.

Position Of Contacts Before Vacuum Is Applied: NC.



Sample Line Connector: accepts 1/4", 5/16", or 3/8" ID flexible, slip-on tubing.

Approval or recognition: UL/CUL File MH6213.

TYPICAL ARRANGEMENT

