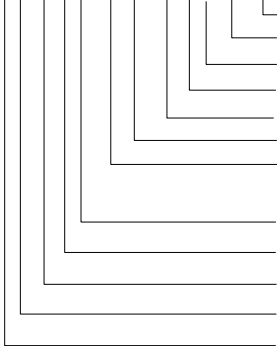


- Replace with _____
- * Gate valves
 - * Globe valves
 - * Ball valves
 - * Utility valves

(E:Z)

PN16

VSF47.XXX
VSF47.1250TDG01


Type of ext. tube
 Finishing: G=Galvanized, N= Nickel coating, P=Painted
 Flange type: D=DIN ,K=KS, J=JIS, B=BS, I=ISO, X=Option
 Seat Mat.:T=TFE, G:Graphite Teflon,B:Brass,S:STS H: Option
 Test point: 0= none, 1= 2 plugs, 2=Test cocks,
 (DIN):15=15, 25,32,40,50,65,80, 90=100, 91=125, 92=150
 1:Medium 1: water 2: Steam/air/Water 3:Oil, 4:Gas,LNG,LPG
 5:Ref.R22,R104,NH3, 9:Option
 :
 (PN:Bar): 2: 6 Bar, 3=10, 4: 16, 5::20/25, 6:30,7:40
 : G: , F: , W:
 : S : Shut off B: Balancing
 : V: Valve



(Shut-off)

Nickel

20mm : 15mm~ 80mm
 40mm : 100mm~ 200mm
 50mm : 250mm ~ 400mm

(Stop valve)

: +160
 :-15

- (),
- () 50%
- abs...2Bar
- 160
- R12,R22,R502,R104,NH3 (가)

: 16Bar(1600kPa)

: Direct: 0%,Reverse: 0%

: ISO2084, BS4505

(Type summary)
(Valve bodies)
(Seat materials)

DIN	(Type)	Kvs	max. P _{v100} in kPa		(Leakage rate) % of full range				
mm	(Model)	m ³ /h	K _v /K _{vr}	mm	Br	sts	TFE	GTFE	
15	VSF47.113	0.9	>50	1000 1000	20	0	0	0	0
15	VSF47.114	1.9	>50	1000 1000	20	0	0	0	0
15	VSF47.115	3	>50	1000 1000	20	0	0	0	0
20	VSF47.120	5	>100	800 800	20	0	0	0	0
25	VSF47.125	7.5	>100	800 800	20	0	0	0	0
32	VSF47.132	12	>100	800 800	20	0	0	0	0
40	VSF47.140	19	>100	800 800	20	0	0	0	0
50	VSF47.150	31	>100	800 800	20	0	0	0	0
65	VSF47.165	49	>100	600 600	20	0	0	0	0
80	VSF47.180	78	>100	600 600	20	0	0	0	0
100	VSF47.190	124	>100	500 500	40	0.01	0.01	0	0
125	VSF47.191	200	>100	500 500	40	0.01	0.01	0	0
150	VSF47.192	300	>100	500 500	40	0.01	0.01	0	0
200	VSF47.193	500	>100	400 400	40	0.01	0.01	0	0
250	VSF47.194	780	>100	400 400	50	0.01	0.01	0	0
300	VSF47.195	1250	>100	350 350	50	0.01	0.01	0	0

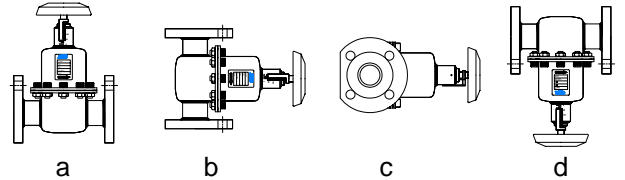
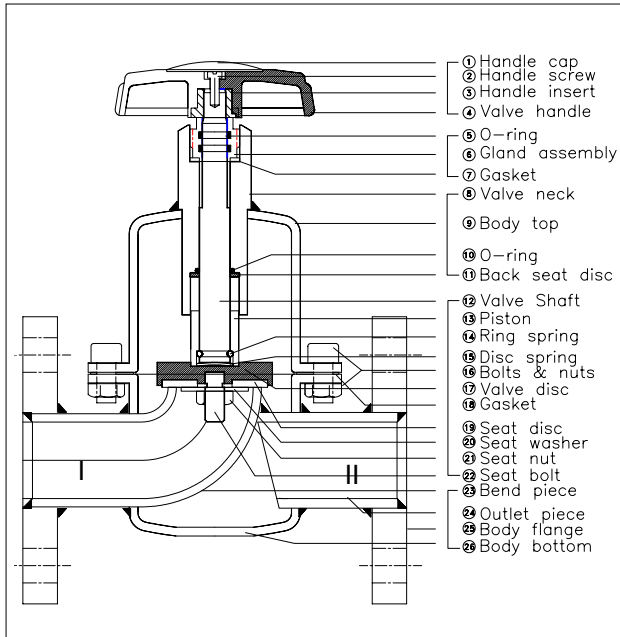
* : 100kPa=1Bar=10mWG | max. P_{v100}= 가
 P_{v100} = 가 | Pmax = 가
 K_{vs} = 1Bar (m³/h)
 K_{vr} = 1Bar (m³/h)

가

V4001...

(Back seat)가

가



가

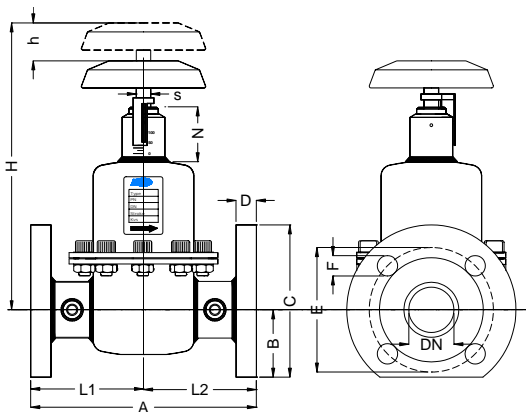
4000

VALTEK



(Direct flow)

(Dimension)



* Dimension in mm

DIN												Wt
mm	Inch	A	B	C	D	E	F	H	h	N	S	Kg
15	1/2"	130	50	100	10	20	12x4	200	20	44	12	
15	1/2"	130	50	100	10	20	12x4	200	20	44	12	
15	1/2"	130	50	100	10	20	12x4	200	20	44	12	
20	3/4"	130	50	100	10	20	12x4	200	20	44	12	
25	1"	160	80	115	16	20	14x4	200	20	44	12	
32	1 1/4"	200	100	150	18	20	18x4	200	20	44	12	
40	1 1/2"	200	100	150	18	20	18x4	200	20	44	13	
50	2"	230	115	165	20	20	18x4	200	20	44	13	
65	2 1/2"	290	145	185	20	40	18x4	250	30	36	14	
80	3"	310	155	200	22	40	18x8	296	30	36	14	
100	4"	350	175	220	24	40	18x8	342	30	36	16	
125	5"	400	200	250	26	40	18x8	360	30	36	16	
150	6"	480	240	285	26	40	22x8	400	40	32	18	
200	8"	600	305	345	29	50	22x12	420	40	30	20	
250	10"	720	370	400	29	50	22x12	460	50	30	20	
300	12"											