

- Work with
- * Honeywell
 - * Johnson controls
 - * Siemens..
 - * Many others

0(2)~10Vdc/4~20mA/24VAC, 10/20/30/40mm

AQX63.XXX

AQX63.225240SAs Valve:

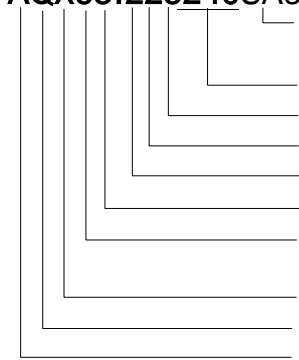
JC:Johnson, SAa: Sauter-a, SAb:Sauter-b,SI:Siemens,SW:Satchwell
SN:Saginomiya, SS:Samson, SB:Siebe, TR:Trend, HW:Honeywell
Force: 240 Kg/f,2400Nf

:1=10s,2=30s,3=60s, 4=120s, 5=200s, 6=400s
:1=110Vac,2=24Vac,3=220Vac, 4=380Vac, 8=24Vdc

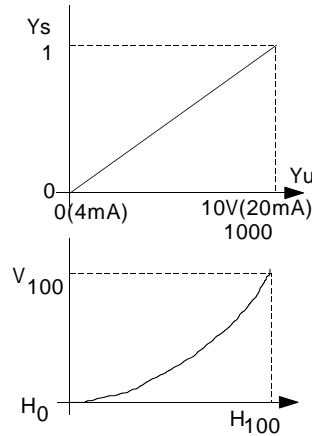
:1=10mm,2=20mm,3=30mm, 4=40mm, X=Option
()

:2=on/off, 3= 3- .220vac,5-4~20mA,6=0~10vdc
.7=0~20vdc, 8=3-pos/24vdc, 9=0~135 , x=Option

: :Q=Sync.,U=DC, Z=Stepping, l=Ind



(Function charts)



Ys
Yu
YR
V100
H100

DDC, PLC
0~10VDC, 4~20mA

2- ,3-

-24Vav±20%
50/60Hz

3VA
*

10/20/30/40mm 가
800~ 3000Nf
<35[dB]

0~10Vdc
4~20mA

10(3)A 24~250Vac
0~1000

가 /

-15...+50
-30...+65
Class D to DIN40040
IP54 to DIN 40050
+80
PG11
1.2Kg

0~10VDC
4 ~ 20mA

20mm

Nr	Nf()	60Hz	→			
			0	1	2	3
AQX63.2250600	600	125s	0	SW	140	1000
AQX63.2250800	800	125s	0	SW	140	1000
AQX63.2251200	1200	125s	0	SW	140	1000
AQX63.2251800	1800	125s	0	SW	140	1000
AQX63.2252400	2400	125s	0	SW	140	1000
AQX63.2253000	3000	125s	0	SW	140	1000
AQX63.2253500	3500	125s	0	SW	140	1000

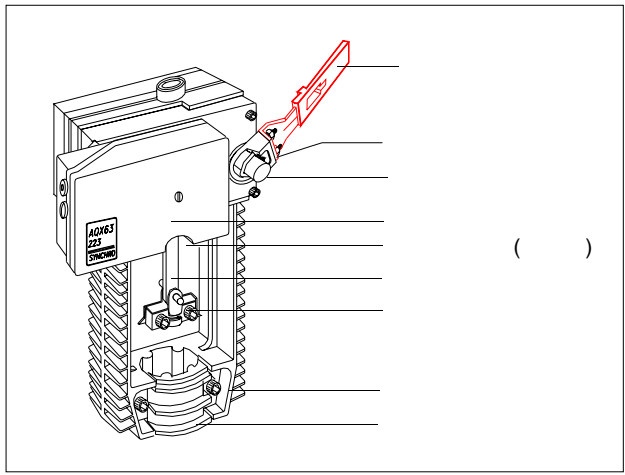
40mm

Nr	Nf()	60Hz	→			
			0	1	2	3
AQX63.4261200	1200	250s	0	SW	140	1000
AQX63.4261800	1800	250s	0	SW	140	1000
AQX63.4262400	2400	250s	0	SW	140	1000
AQX63.4653000	3000	250s	0	SW	140	1000
AQX63.4263500	3500	250s	0	SW	140	1000

(Yoke)



가
가
가 LED 가
가
가
()가

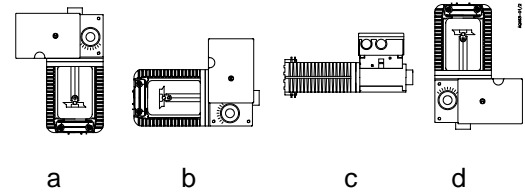


34000

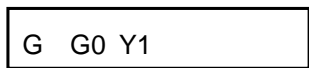
POLYTEK

Y U

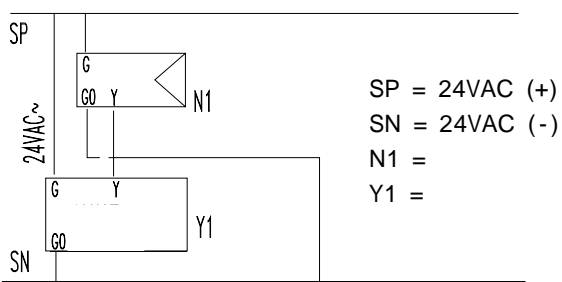
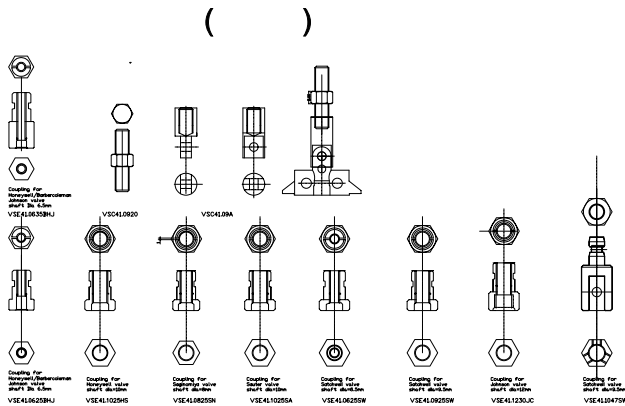
G0 ()



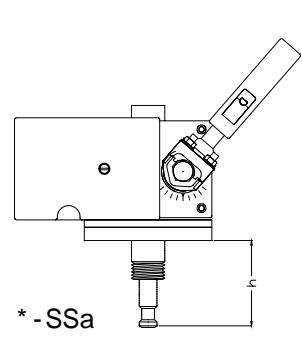
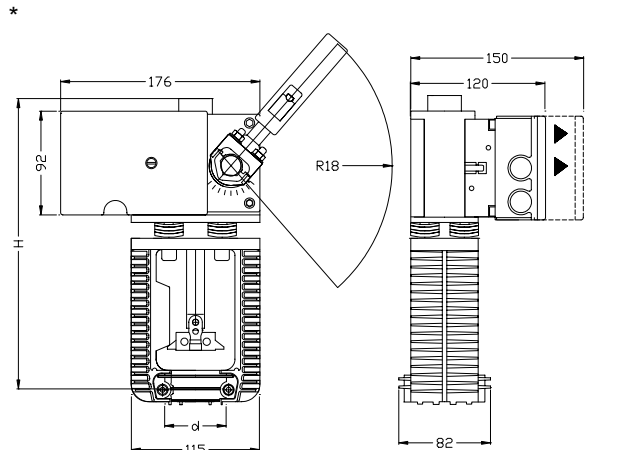
(Zero point)



G0 = (SN)
G = (SP)
Y1 =



SP = 24VAC (+)
SN = 24VAC (-)
N1 =
Y1 =



* Samson 3241

Brands	d	H
ATI/TEG	44	260
Siemens	44	260
Hw	38	260
JCI(L)	50	285
JCI(s)	27	245
Samson	30	245
Sauter-S	38	260
Satchwell	35	300
Saginomiya	33	360