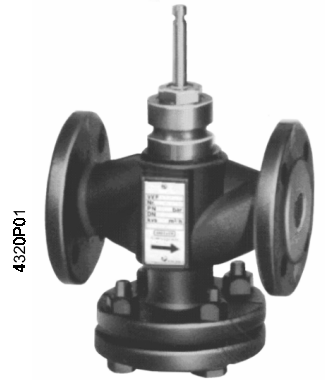


2

, PN10

VVF31



- 2 , PN10
- : Grey cast iron GG-25
- : DN25...150 mm
- (k_{vs}) : 5...300 m³/h
- : 20 40 mm
- 가 : SQX..., SKD..., SKB..., SKC...

(Use)

. (DIN 32730)

(Media)

()	
()	-25 ... +120 °C
(50%) ^{1) 2)}	

1) 0 °C : 가 (ASZ6.5)가

2) : -10 °C DIN 3158 (stress case I)
 -25 °C DIN 3158 (stress case II)

(Type summary)

	DN [mm]	k_{vs} [m ³ /h]	S_v	$\Delta p_{vmax.}$ [kPa]
VVF31.24	25/20	5	> 50	100
VVF31.25	25	7.5		
VVF31.39	40/32	12	> 100	
VVF31.40	40	19		
VVF31.50	50	31		
VVF31.65	65	49		
VVF31.80	80	78		
VVF31.90	100	124		
VVF31.91	125	200		
VVF31.92	150	300		

DN =
 k_{vs} = (VDI 2173)
 S_v = Rangeability (VDI 2173)
 $\Delta p_{vmax.}$ =

가 0 °C 가 (AC24V) . ASZ6.5

(Accessories)

(Ordering)) VVF31.50

(Delivery) , 가

(Equipment combinations)

	H_{100} [mm]	1)							
		SQX... ²⁾		SKD...		SKB...		SKC...	
		Δp_{max}	Δp_s	Δp_{max}	Δp_s	Δp_{max}	Δp_s	Δp_{max}	Δp_s
		[kPa]							
VVF31.24	20	100	1000	100	1000	100	1000		
VVF31.25			500		750				
VVF31.39			300		450				
VVF31.40			175		250				
VVF31.50			100		700				
VVF31.65			80		450				
VVF31.80									
VVF31.90	40							100	300
VVF31.91									175
VVF31.92									125
Data sheet			4554		4561			4564	

1) 가 : • AC 24 V / AC 230 V (3-position)
 • AC 24 V (: DC 0...10 V DC 4...20 mA)
 2) Δp_{max} Δp 99 1 (SQX32... / SQX82... / SQX62)

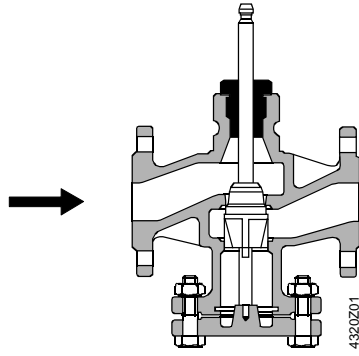
H_{100} = 100 %
 Δp_{max} =
 Δp_s = 가 (closing pressure)

가

(Pneumatic actuators)

(Mechanical design)

(Valve cross-section)



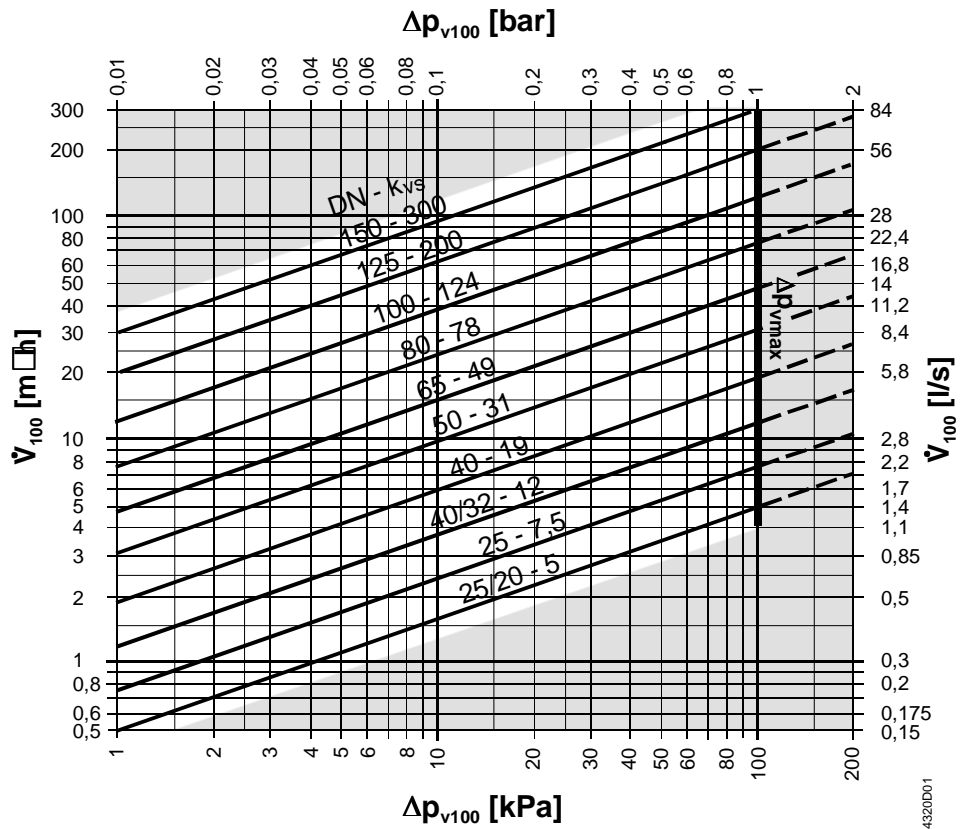
2

3

(Disposal)

(Sizing)

(Flow diagram)



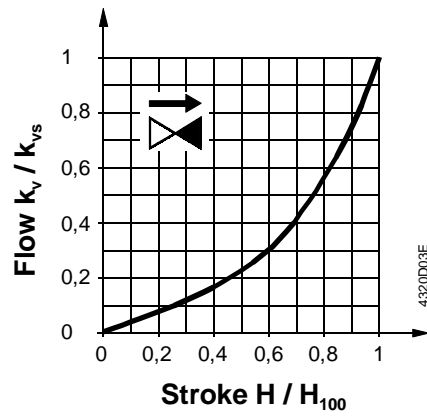
100 kPa = 1 bar \approx 10 mWG

Δp_{vmax} =

Δp_{v100} = 가 100% . (kPa, bar)

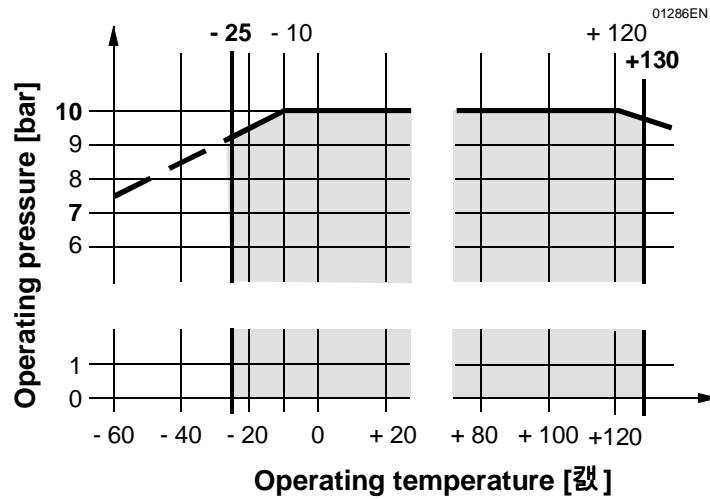
V_{100} = (m³/h l/s)

(Valve flow characteristic)



0 ... 30 % ⇒ (linear)
 30 ... 100 % ⇒ $n_{gl} = 3$ as per VDI / VDE 2173

(Operating pressure and temperature)



-25 ... +120 °C (DIN 4747 DIN 3158) ISO
 7268 EN 1333 .

(Notes)

(Engineering)

: VDI 2035



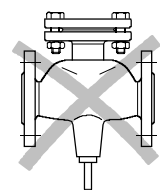
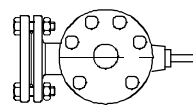
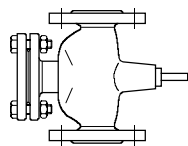
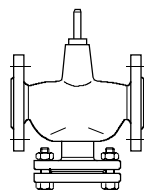
가 0 °C

가

(ASZ6.5 : AC 24 V / 30 W)

(Mounting)

(Mounting positions)



가

가



(Direction of flow)

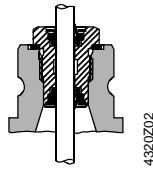
(Commissioning) ⚠ () 가 .
 : 가
 :

(Service) ⚠ 가 . .

(Stem sealing gland) 가 가 , 가

(Spare parts)

(Standard version)



-25 ... +130 °C - (,) -
 가 (EPDM-O-ring)
 VVF31... DN25 ... 80 (10 mm) **4 284 8806**
 VVF31... DN100 ... 150 (14 mm) **4 679 5629 0**

(Warranty)

“ ” ()
 “ ” $\Delta p_{max}, \Delta p_s$, , “
SIEMENS

(Technical data)

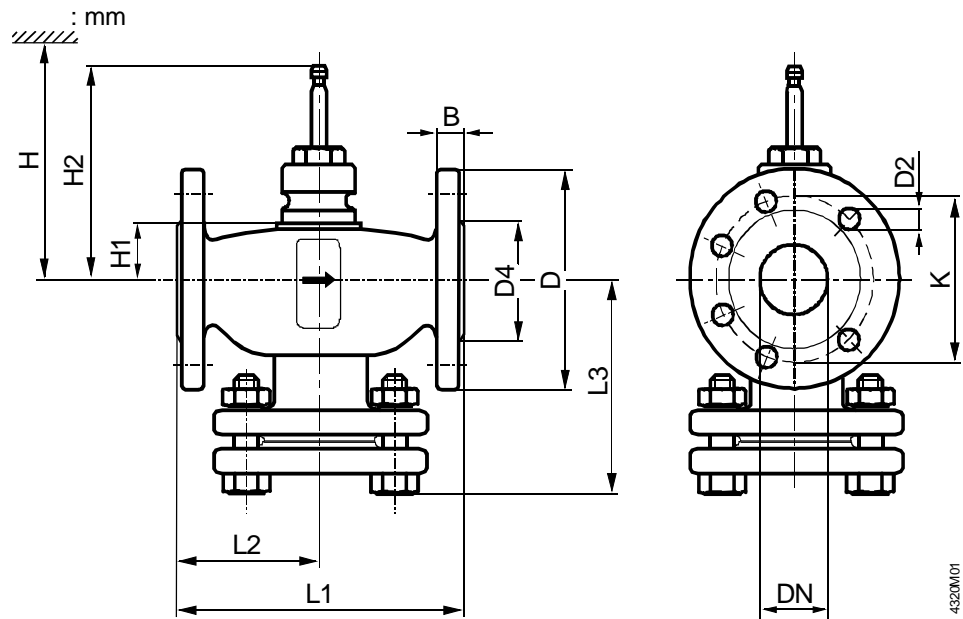
(Function data)

PN class PN10
 0 ... 30 % (linear)
 30 ... 100 % $n_{gl} = 3$ (VDI / VDE 2173)
 $k_{vs} = 0 \dots 0.02$ % (VDE / VDI 2173)
 1000 kPa (10 bar), ISO 7268 / EN 1333
 -25 ... +120 °C DIN 4747 / DIN 3158
 ISO 7005
 - DN25 ... 80 20 mm
 - DN100 ... 150 40 mm

(Materials)

DN25...65
 DN80...150
 GG-25 (DIN EN 1561)
 brass
 EPDM-O ring

(Dimensions)



DN [mm]	B	D	D2	D4	H1	H2	K	L1	L2	L3	[kg]
25	16	115	14 (4x)	65	34	130.5	85	160	80	104	5.9
40	18	150	19 (4x)	84	39	135.5	110	200	100	126	10.1
50	20	165		99	39	156.5	125	230	115	143	15.5
65	22	185	23 (8x)	118	60		145	145	290	145	173
80		200		132	60	160	160	310	155	185	22.9
100	24	220	19 (8x)	156	91	207.5	180	350	175	205	33
125	26	250	23 (8x)	184	102	218.5	210	400	200	232	48
150		285		211	118	234.5	240	480	240	275	68

DN [mm]	SQX...	SKD...	H	SKB...	SKC...	DN =
25	> 459	> 534	> 609			
40	> 464	> 539	> 614			H =
50	> 464	> 539	> 614			
65	> 485	> 560	> 635			
80	> 485	> 560	> 635			H1 =
100				> 666		
125				> 677		H2 =
150				> 693		(가)