



SKD62... SKD60

20 mm

-
- SKD62... : AC 24 V, DC 0...10 V,
4... 20 mA 0 ... 1000 Ω ,
 - SKD60 : SKD62 ,
 - SKD62U : SKD62 , UL
 - SKD62UA : SKD62U 가 (,)
가 가 ,)
 -
 -
 -
 - LED
 - (Override)
 -
 - : 1000 N
 - :
 - 가 ,
 - SKD62U SKD62UA UL

- : IEC 721-3-3 Class 3K5
- : -15 ... +50 °C
- : -25 ... +140 °C
- >140 °C : SKB...
- <0 °C : 가 ASZ6.5

- : 가
- , ,
-
-
- 가 SKD62... (DIN 32730)
- :
 - (DC 0 ... 10 V / 4 ... 20 mA / 0 ... 1000 Ω)
 - (/)
 -
 -
 - LED
 - Z (Override)
- SKD62UA :
 -
 - 가
 - (/)
-
- 가 가
- 가
- SKD62U SKD62UA UL

		()				
SKD62 SKD62U *	AC 24 V	DC 0 ... 10 V, 20 mA		15	30	15
SKD60		0 ... 1000 Ω		--		
SKD62UA *	AC 24 V	DC 0...10 V, 4 ... 20 mA		15	30	15
		0 ... 1000 Ω				

* UL

ASC1.6	
ASZ6.5	가 AC 24 V
ASK50	

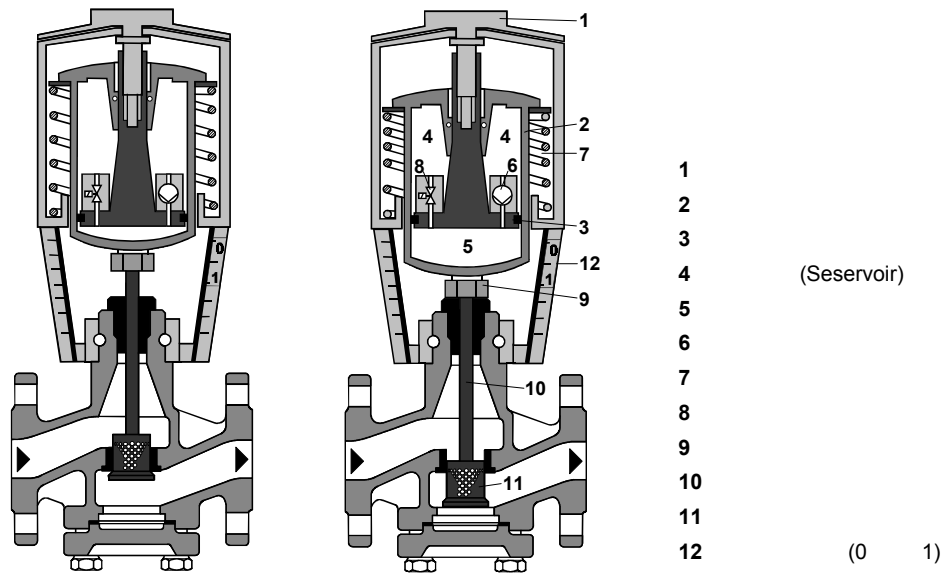
SKD62 1
ASC1.6 1

AC 24V (SELV/PELV)
, DC 1...10 V 4...20 mA

SIEMENS 20mm 2 , 3

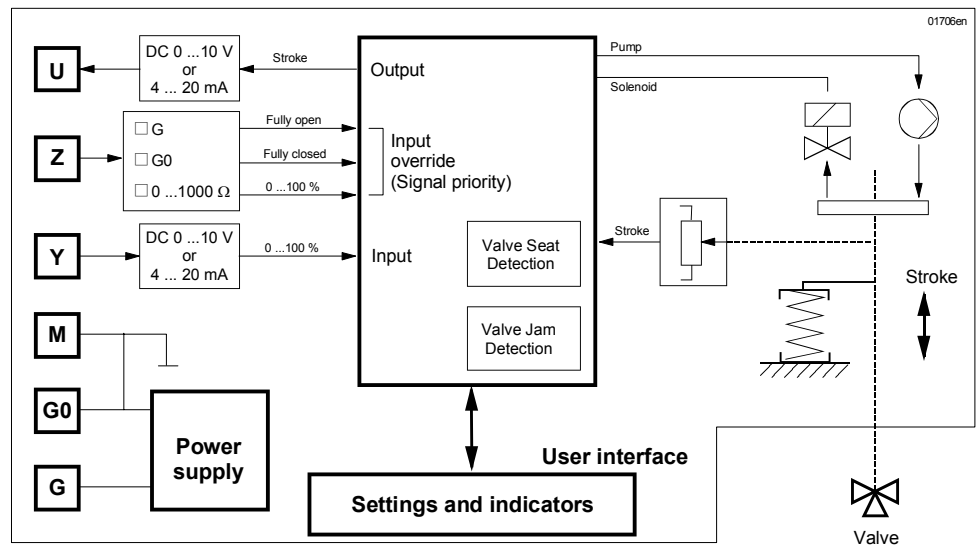
	DN	PN	Data Sheet
2 VV... ():			
VVF21... ()	25 ... 80 mm	6 bar	4310
VVF31... ()	25 ... 80 mm	10 bar	4320
VVF40... ()	15 ... 80 mm	16 bar	4330
VVF41... ()	50 mm	16 bar	4340
VVG41... ()	15 ... 50 mm	16 bar	4363
VVF52... ()	15 ... 40 mm	25 bar	4373
VVF61... ()	15 and 25 mm	40 bar	4382
3 , VX... (,)			
VXF21... ()	25 ... 80 mm	6 bar	4410
VXF31... ()	25 ... 80 mm	10 bar	4420
VXF40... ()	15 ... 80 mm	16 bar	4430
VXF41... ()	15 ... 50 mm	16 bar	4440
VXG41... ()	15 ... 50 mm	16 bar	4463
VXF61... ()	15 and 25 mm	40 bar	4482
VP... ():			
VPF52... ()	15 ... 40 mm	25 bar	4374

Δp_{max} (Closed pressure) Δp_s Data Sheet



- Y 가 : (6)가 (4) (5) 가
(5)가 (9)
- Y : (8) (7)
(5) (4) (5)가 (11)가
(9) (10) (11)가
- Y :

SKD...



SKD62...

«0%»

SKD60

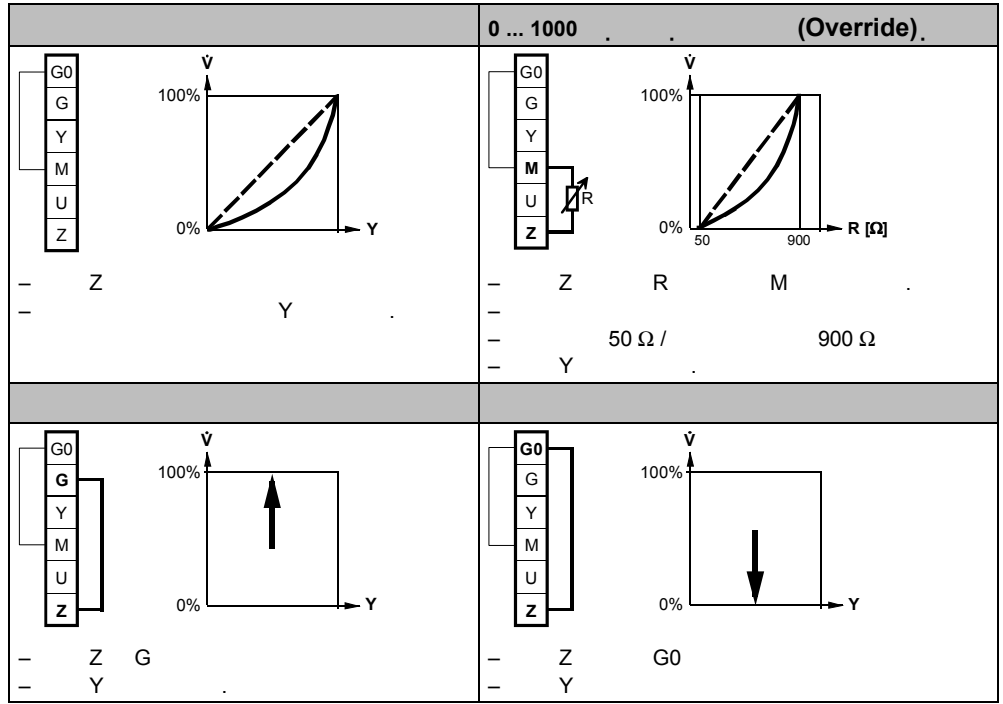
가

(Override)

(Override)

(Z) 3가

가 ..



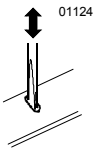
Z « »
0 100%

/ SIEMENS () 가 AC 24 V

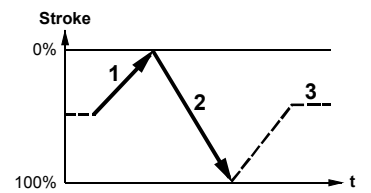


가 « »

PCB



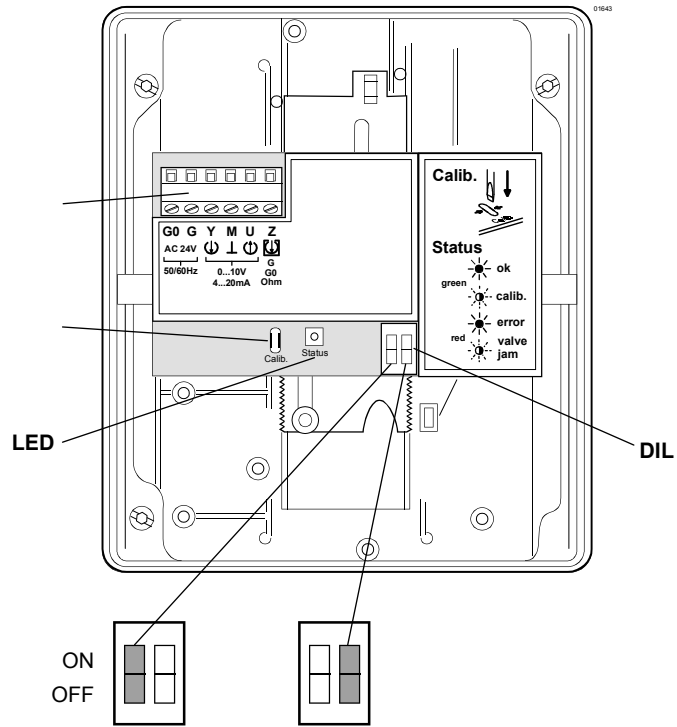
- 가 0 (1), LED
- 100
- (2), LED
- 가 LED 가
- ()
- Y Z
- (3)
- U LED



LED

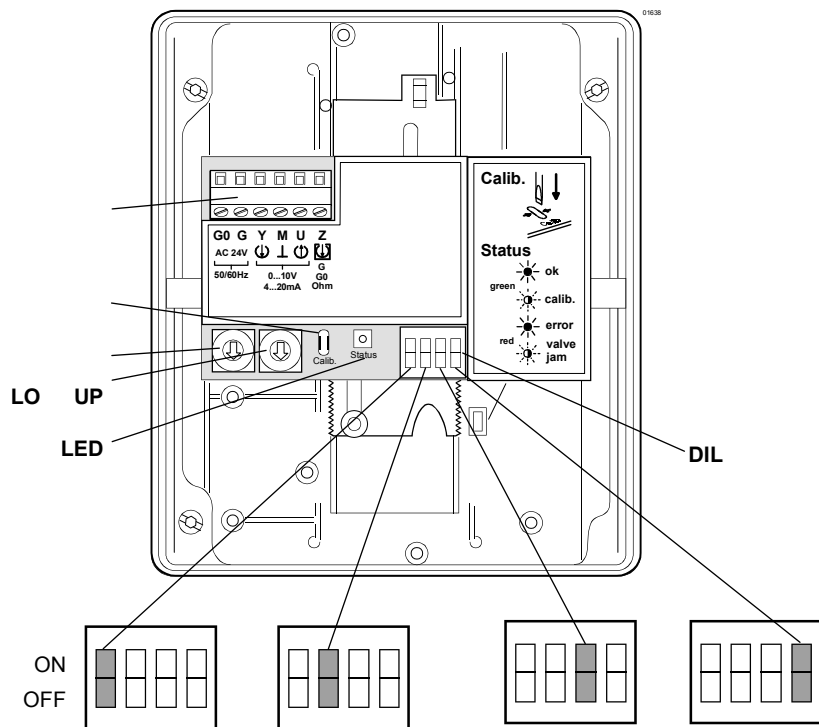
LED		
	•	
	•	(LED)
	•	()
	•	
	•	

SKD62
SKD60
SKD62U



DIL	I	
ON	DC 4 ... 20 mA	
* OFF	DC 0 ...10 V	

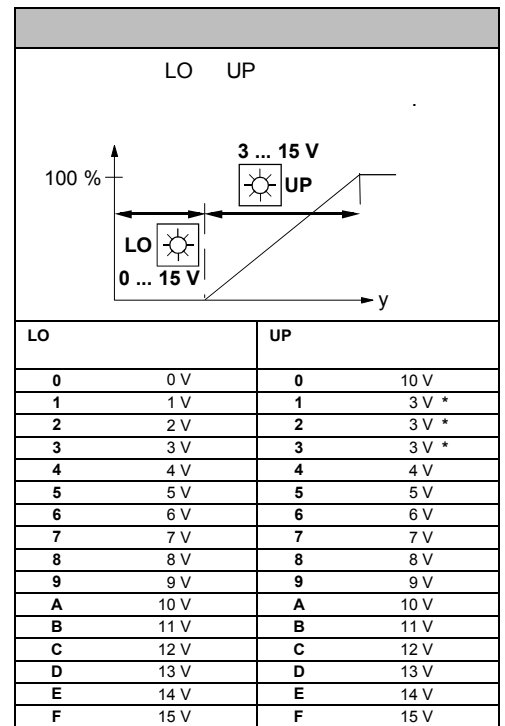
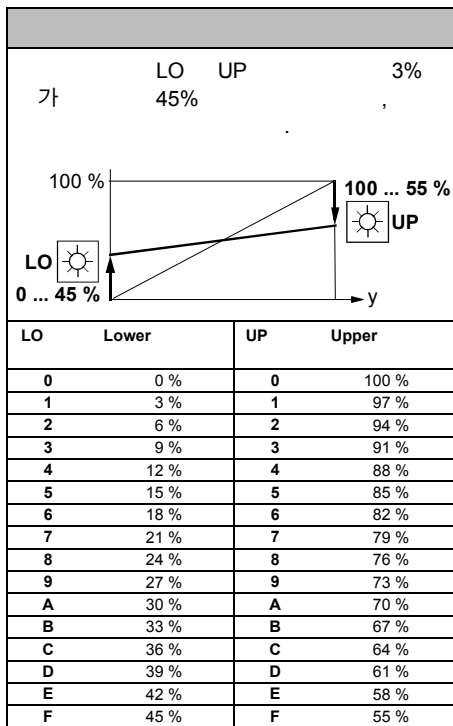
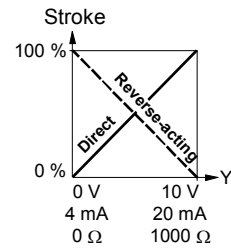
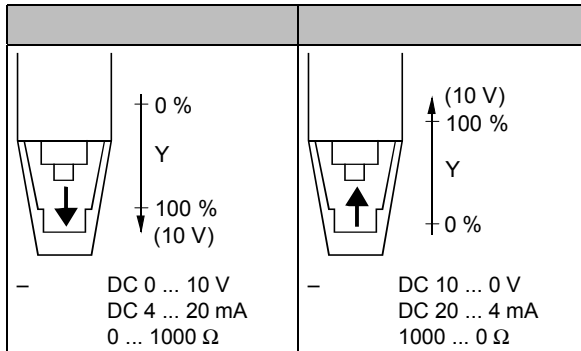
SKD62UA



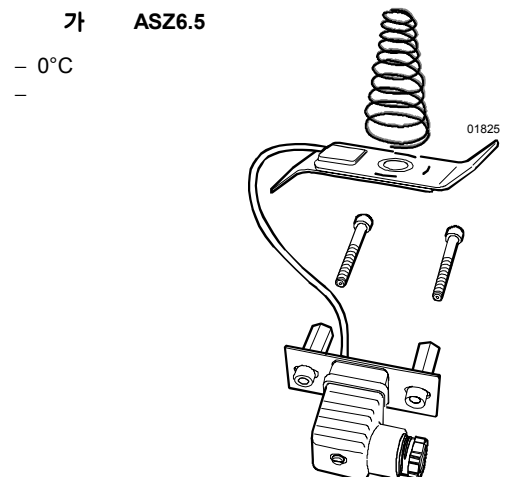
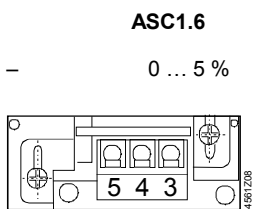
DIL				
ON			DC 4 ... 20 mA	
* OFF			DC 0 ...10 V	

* OFF

- , « »
- (3 « ») 0V SIEMENS 0 V
- , « »



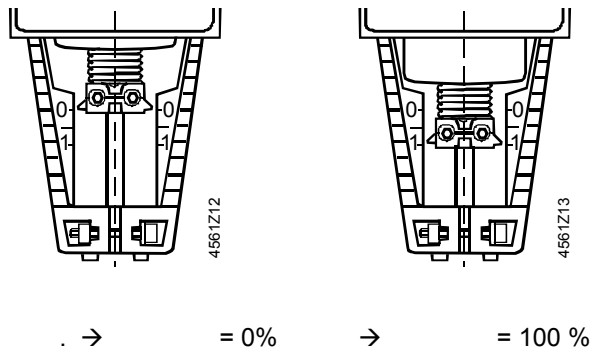
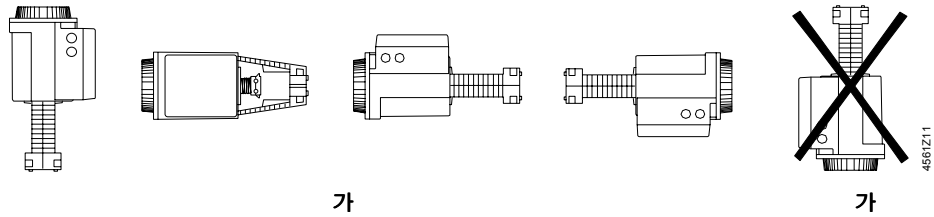
* 0...30 V ; 가 Y



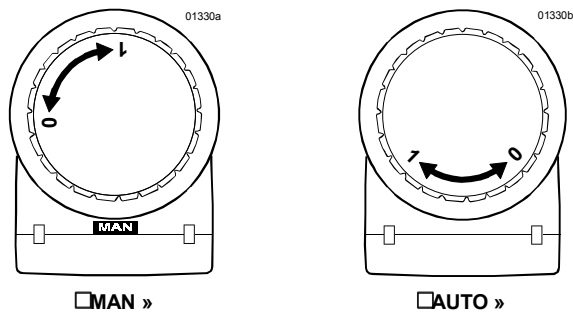


가 ASZ6.5 30 VA , 0 °C ... -25 °C

(« » « »)



«MAN» SIEMENS VVG..., VPF..., VXF..., VVG... VVF... (= 0%).



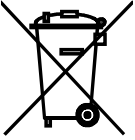


:
OFF

가 가 , ,

가 .

가



SIEMENS

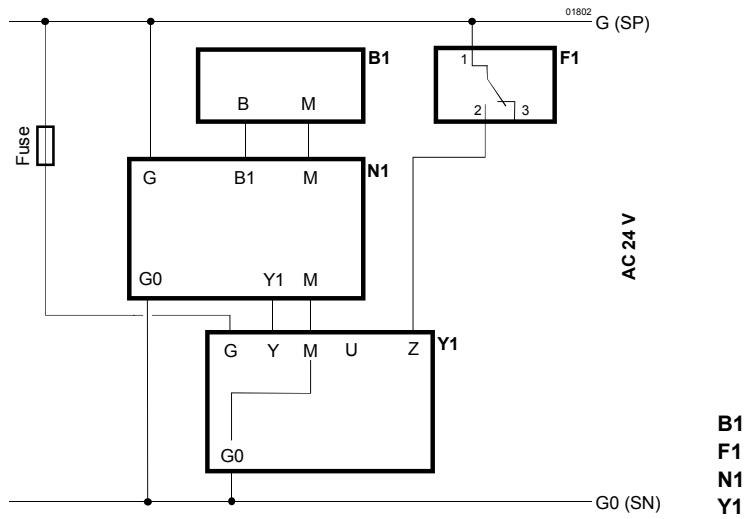
(Δp_{max} , Δp_s ,
SIEMENS

, Siemens Building Technologies
가

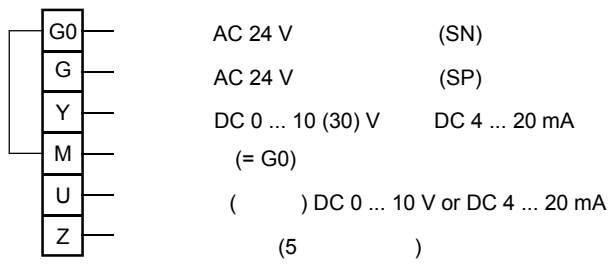
(SELV, PELV)	AC 24 V $\pm 20\%$
	50 60 Hz
	17 VA / 12 W
	1 A slow blow, 10 A slow blow
()	DC 0 ... 10 V, DC 4 ... 20 mA 0 ... 1000 Ω
50 Hz	: 30 / : 15
()	15
	20 mm
	1000 N
	/
	.*
Y	DC 0 ... 10 V 100 k Ω DC 4 ... 20 mA 240 Ω <1 % 1 %
Hysteresis	1 %
Z	0 ... 1000 Ω
Z	(Y)
Z - G	100 %
Z - G0	0 %
Z 0 ... 1000 Ω	/
M	

* 3 « »

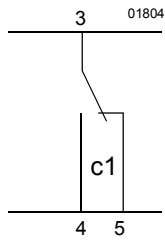
U	DC 0 ... 9.8 V ±2 % >500 Ω DC 4 ... 19.6 mA ±2 % <500 Ω
:	≤140 °C
	To IEC 721-3-3 Class 3K5 -15 ... + 50 °C 5 ... 95 % rh
	To IEC 721-3-2 Class 2K3 -30 ... +65 °C <95 % rh
	To IEC 721-3-1 Class 1K3 -15 ... +50 °C 5 ... 95 % rh
CE	
EMC Directive	89/336/EEC
Low Voltage Directive	73/23/EEC
Electromagnetic compatibility	
Emitted interference	EN 61000-6-3 Residential
Interference immunity	EN 61000-6-2 Industrial
Product standards for automatic Electric controls	EN 60 730-2-14
C-tick	N474
Protection standard	IP54 to EN 60529
Protection class	III to EN 60730
UL	UL 873
	« »
SKD62, SKD60	3.60 kg ()
SKD62U, SKD62UA	3.85 kg ()
	1.10 kg ()
SKD62, SKD60	Pg 11 (4 x)
SKD62U, SKD62UA	Pg 16 (4 x)
SKD62UA	
/	DC 0 ... 10 V / DC 10 ... 0 V DC 4 ... 20 mA / DC 20 ... 4 mA 0 ... 1000 Ω / 1000 ... 0 Ω 0 ... 45 % 가 100 ... 55 % 가
Y	0 ... 15 V 가 3 ... 15 V 가
ASC1.6	AC 24 V, 10 mA ... 4 (2) A
ASZ6.5 가	AC 24 V ±20 % () 30 VA

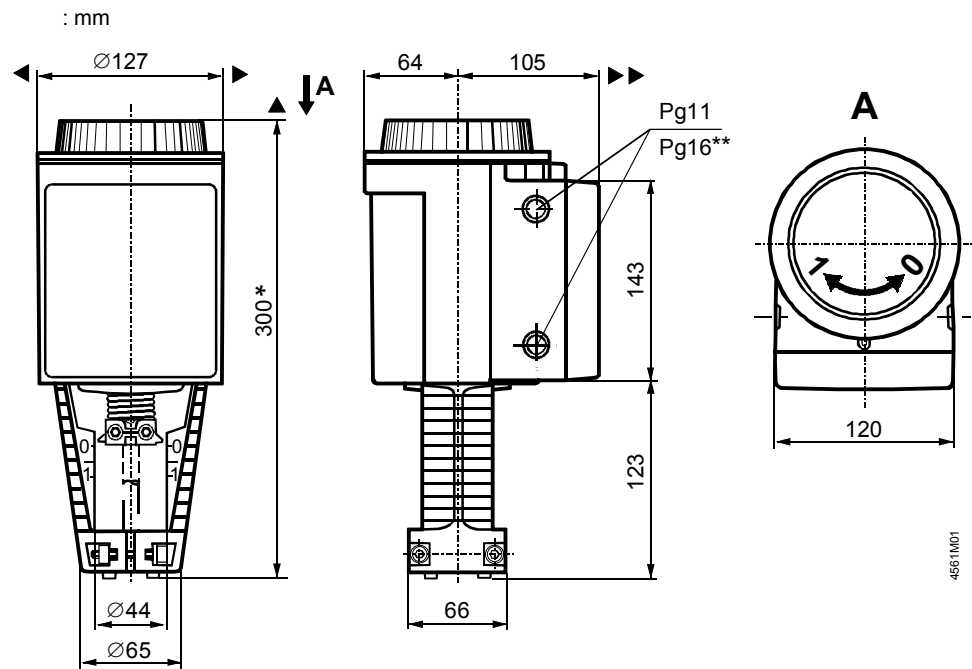


B1
F1
N1
Y1



ASC1.6





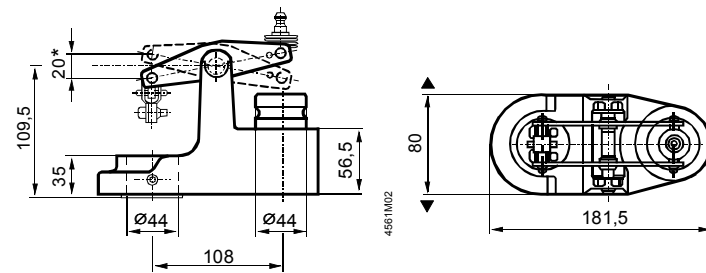
* (ASK50 = 300 mm)
 (ASK50 = 357 mm)

** SKD62U... Pg16

▲ = > 100 mm [

▲▲ = > 200 mm [

ASK50



* = 20 mm