



RAB 10



RAB10.1

### RAB10...

2-Pipe

3 가 가 , 가  
 가  
 3  
 AC 250 V  
 On/Off

RAB10...

- 
- 
- 

가

- 
- 
- 

(Thermal valve)

가  
 가


가

a)

b)

(Circuit board)

(Jumper)

Jumper SR1 

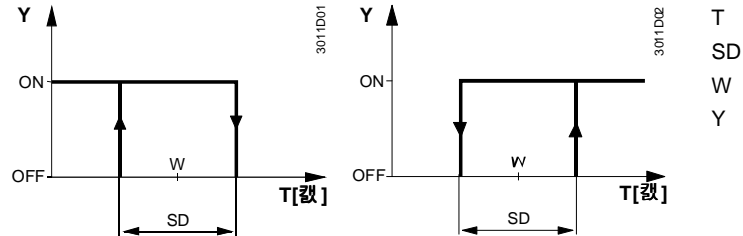
Selected fan speed as continuous operation

Jumper SR2  Auto

Fan is switched at the same time as the valve

RAB10.1 

가 (RAB10...).



3 가 2-pipe

RAB10

3 가 2-pipe

RAB10.1

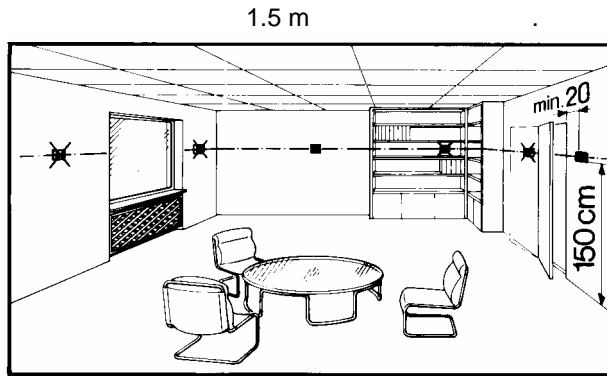
			Data Sheet
2	DN15	MVE21.15	CE1N4828
2	DN20	MVE21.20	CE1N4828
2	DN25	MVE21.25	CE1N4828
3	DN15	MXE21.15	CE1N4828
3	DN20	MXE21.20	CE1N4828
3	DN25	MXE21.25	CE1N4828
( : VD... / VE... / VU... and 2T...)		STE21.1	CA1N4874

RAB10...

- 2
- 가

가

가



가

( : 250 V!).

가

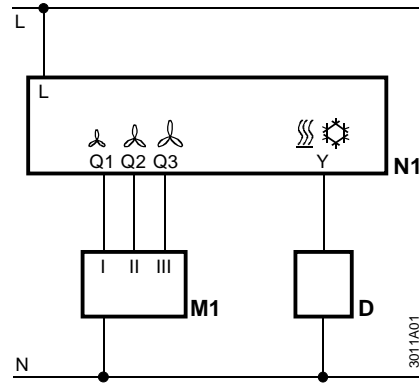
가

가

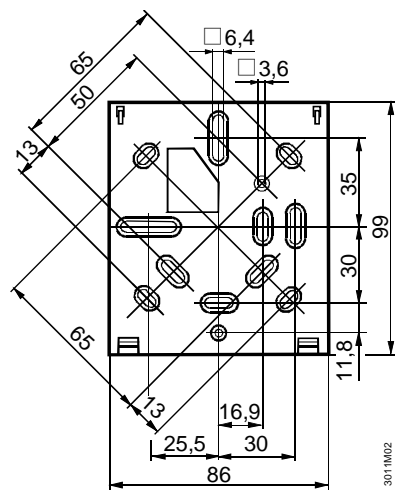
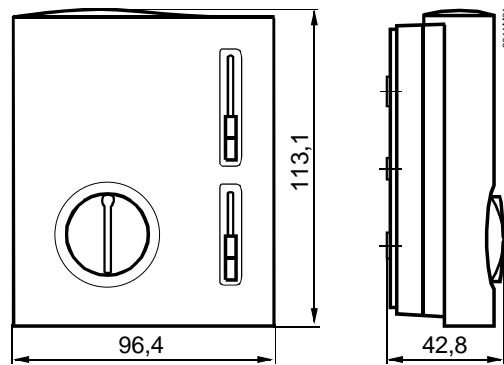


	AC 24...250 V
	50 or 60 Hz
	≤1 K
	8...30 °C
AC 250 V	0.2...6 (2) A
	to IEC 721-3-3 class 3K5 0...+50 °C <95 % r.h. normal, to EN 60730
/	to IEC 721-3-2 class 2K3/1K3 -20...+50 °C <95 % r.h. class 2M2
	/ 20 pieces
<b>CE</b> conformity	
Low voltage directive	73/23/EEC and 93/68/EEC
Product standard	EN 60730
<b>C</b> <sup>N474</sup> C-Tick conformity to	
EMC emission standard	AS/NSZ 4251.1:1994

Safety standard	II to EN 60730
Insulation standard	IP30 to EN 60529
	2 x 1.5 mm <sup>2</sup> or 1 x 2.5 mm <sup>2</sup> , min. ( 0.5 mm <sup>2</sup> )
	0.14 kg
	white, NCS S 0502-G (RAL 9003)



L	AC 250 V
M1	(3 )
N	(Neutral)
N1	
Q1	"
Q2	I", AC 250 V
Q3	II", AC 250 V
Y	III", AC 250 V
D	" , AC 250 V



: mm