



OpenAir™

GDB...1 GLB...1

, AC 24 V / AC 230 V

5 Nm (GDB)	10 Nm (GLB)	
	: , 3- (On/Off)	
	:	
	0.9m	
가	: Off-set / Span	, Self-adaption ¹⁾

(GDB, GIB)




- 0.8 m² (GDB) 1.5 m² (GIB)
- 3- (On/Off)

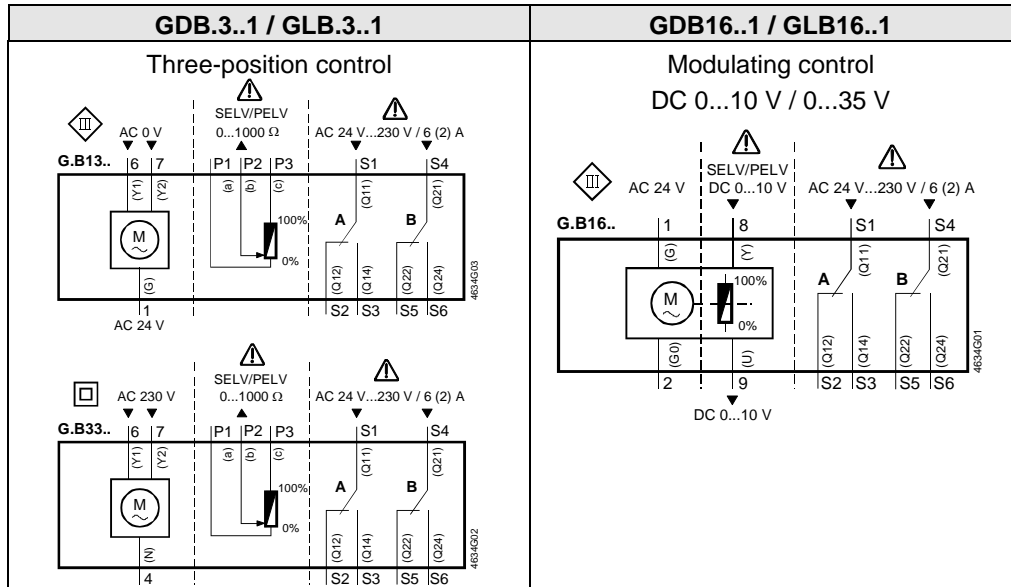
GDB.../GLB...	131.1E	132.1E	136.1E	331.1E	332.1E	336.1E	161.1E	163.1E	164.1E	166.1E	
	3- (On/Off)										
AC 24 V	○	○	○				○	○	○	○	
AC 230 V				○	○	○					
Y DC 0...10 V							○	○	○	○	
DC 0...35 V Off-set / Span (U _o , ΔU)								○	○		
U = DC 0...10 V							○	○	○	○	
1kΩ		○			○						
Self-adaption							○	○	○	○	
(2)			○			○			○	○	
							○	○	○	○	

	GDB.3..1 / GLB.3..1	GDB16..1 / GLB16..1
	3- (On/Off)	
Off-set / Span (U _o , ΔU) ()		DC 0...35 V Offset U _o = 0...5 V and span ΔU = 2...30 V
	(/) DIL
		(U = DC 0...10V) U DIL
Self-adaptation		GDB/GLB16...1 Off-Set / Span (U _o , ΔU) 가 ()
	: 0° 90°	(SPDT) 5° 가
		(가 : 5°)

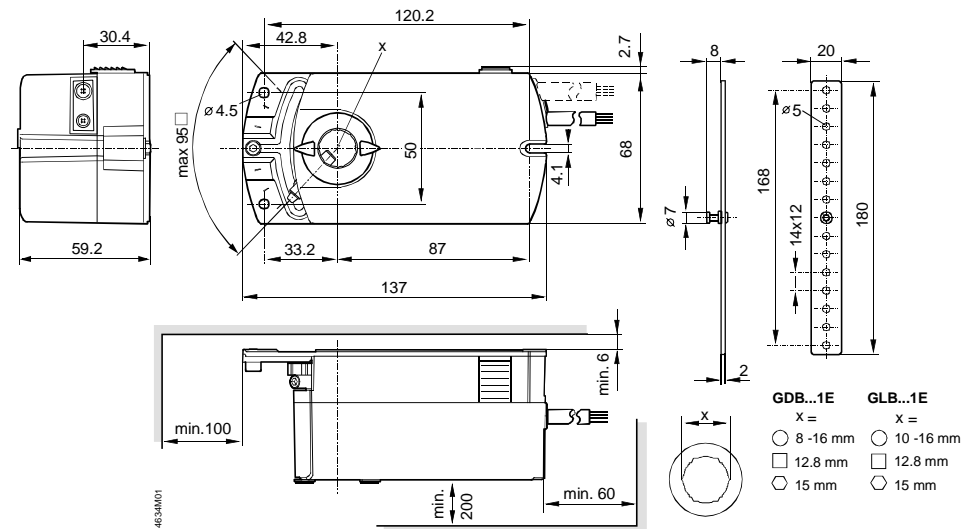
가

/

	AC 24 V (SELV/PELV)	/	GDB/GLB13..1 GDB/GLB16..1 GDB/GLB16..1	AC 24 V ± 20 % / 50/60 Hz 2 VA / 1 W 3 VA / 2 W 1 W	
		AC 230 V	/	GDB/GLB33..1	AC 230 V ± 10 % / 50/60 Hz 2 VA / 1 W
				90°	5 Nm (GDB) / 10 Nm (GLB) 7 Nm (GDB) / 19 Nm (GLB) 90° / 95° ± 2° 150 s (50 Hz) / 125 s (60 Hz)
GDB/GLB16..1	Y (8-2)			DC 0...10 V, int. limited of DC 10 V DC 35 V	
GDB/GLB161.1, GDB/GLB166.1 GDB/GLB163.1, GDB/GLB164.1 () GDB/GLB16...1	Y (8-2)		Offset U _o Span ΔU	DC 0...35 V DC 0...10 V DC 0...5 V DC 2...30 V	
	U (9-2)			DC 0...10 V or DC10...0 V DC ± 1 mA	
GDB/GLB132.1, GDB/GLB332.1	가 (P1-P2)			0...1000 Ω < 1 W	
	GDB../GLB..6.1, GDB/GLB164.1	/	가	6 A resistive, 2 A inductive AC 24...230 V 5°...90° 5°	
				0.75 mm ² 0.9 m	
	EN 60 529 ()			IP 54	
	AC 24 V, AC 230 V, /			EN 60 730 III II	
	()			IEC 721-3-3 / IEC 721-3-2 -30...+55 °C / -30...+60 °C < 95% r. F. / < 95% r. F.	
	:			EN 60 730-2-14 (Type 1)	
	(1) (EMC): GDB/GLB.32.1 GDB/GLB.32.1			IEC/EN 61 000-6-2 IEC/EN 61 000-6-1 IEC/EN 61 000-6-3	
	CE :			89/336/EWG 73/23/EWG	
	EMC :			Radio Communication Act 1992 AS/NZS 3548	
	: x x (" ")			68 x 137 x 59.5 mm	
Damper shaft:	round GDB			8...16 mm	
	round GLB			8...10 mm with centering element	
	round GLB			10...16 mm without centering element	
	4-kant			6...12,8 mm	
	가			30 mm	
	:			< 300 AV	
	: GDB... / GLB...			0.48 kg	



				()	
AC 24V	G G0 Y1 Y2 Y U	1 2 6 7 8 9	black purple orange grey pink	RD BK VT OG GY PK	AC/DC 24 V System neutral Pos. signal AC 0 V / AC 24 V, "open" Pos. signal AC 0 V / AC 24 V, "close" Pos. signal DC 0...10 V, 0...35 V Output DC 0...10 V
AC230V	L N Q11	3 4 S1	/	BR BU GY RD	AC 230 V (N) A
	Q12 Q14 Q22 Q24 a	S2 S3 S4 S5 S6 P1	grey/blue grey/pink black/red black/blue black/pink /	GY BU GY PK BK RD BK BU BK PK WH RD	Switch A Normally closed contact Switch A Normally open contact Switch B Input Switch B Normally closed contact Switch B Normally open contact 가 0...100 % (P1-P2)
potentiometer	b c	P2 P3	white/blue /	WH BU WH PK	Potentiometer pick-off 가 100...0 % (P3-P2)
AC 24V	G	1	/	RD	AC/DC 24 V



: mm