



OpenAir™

GCA...1

, AC 24 V / AC 230 V

16 Nm : , 2- (On/Off), 3- (On/Off)
 : , ,
 0.9m ,
 가 : Off-set / Span , , Self-adaption ¹⁾ ,

1) Self-adaption :

(GCA)

- 3 m² . ()
- 가
- 가 . (.)




GCA...	121.1E	126.1E	321.1E	326.1E	131.1E	135.1E	161.1E	163.1E	164.1E	166.1E
	2- (On/Off)				3- (On/Off)					
AC/DC 24 V					○	○	○	○	○	○
AC 230 V			○	○						
Y DC 0...10 V							○			○
Off-set / Span (U _o , ΔU)								○	○	
U = DC 0...10 V							○	○	○	○
1kΩ						○				
(2)		○	○	○					○	○
(가)	○	○	○	○	○	○				

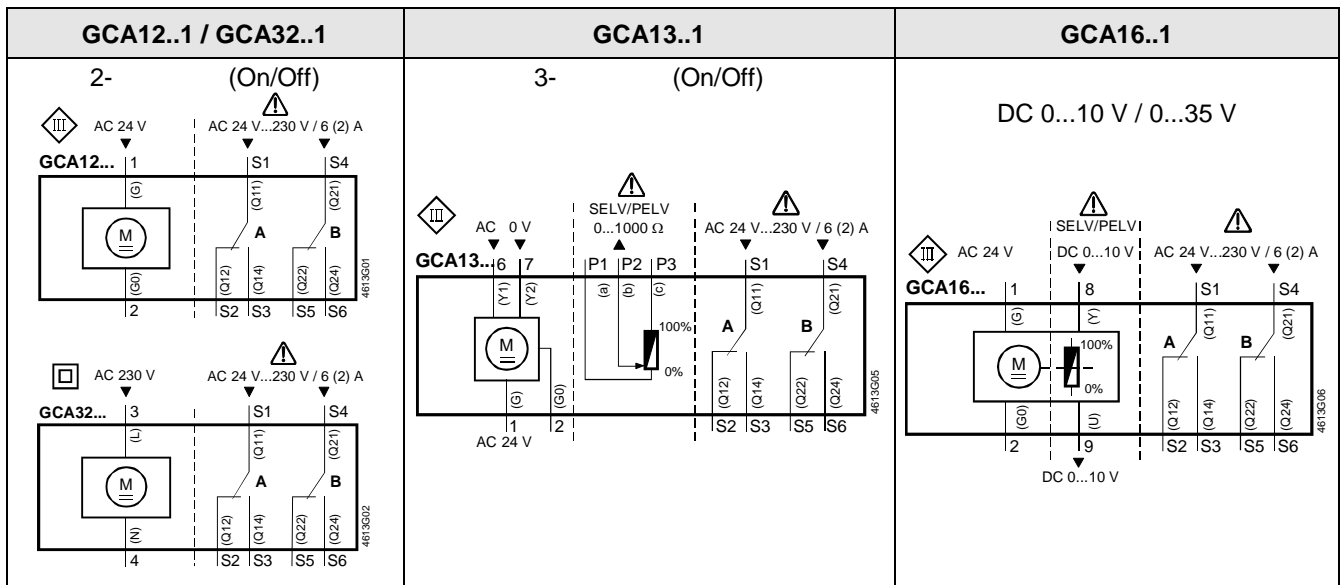
	GCA12..1 / GCA32..1	GCA13..1	GCA16..1
	2- (On/Off)	3- (On/Off)	
Off-set / Span (U _o , ΔU) ()			DC 0...35 V Offset U _o = 0...5 V Span ΔU = 2...30 V
		가	
	(On/Off)		
			(U = DC 0...10V) GMA19..1 U DIL
	: 0° to 90° (SPDT)		5° 가
	가		GMA19..1 () /
	(가 : 5°)		

가

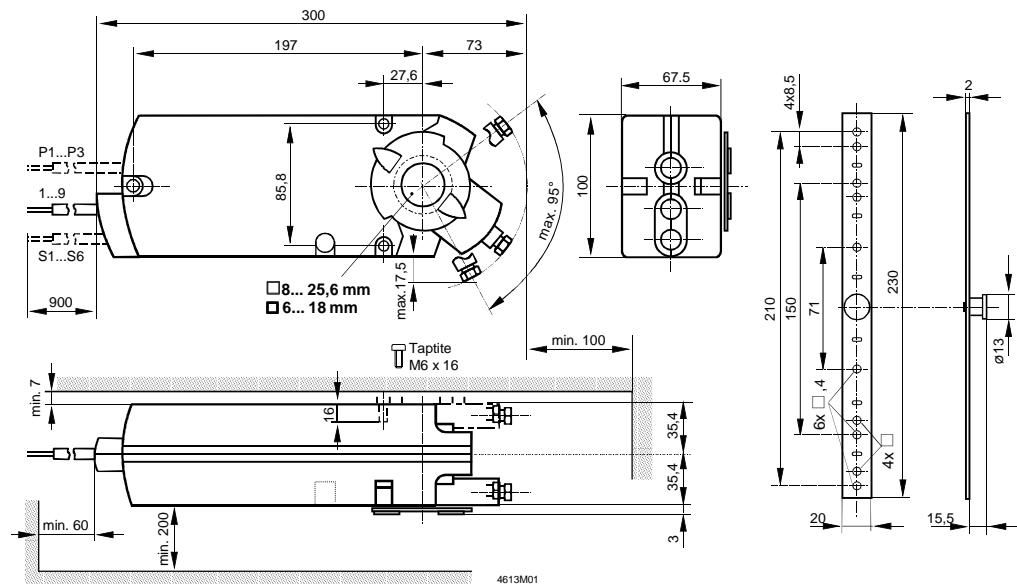
.(' .)

/

 AC 24 V (SELV/PELV)	AC /	GCA1...1: GCA12..1, 13..1: GCA16..1	AC 24 V ± 20 % / 50/60 Hz 9 VA / 6 W 1.5 W 2.2 W
	 AC 230 V	/	GMA32..1:
		90° ()	()
GCA13..1 GCA16..1, 19..1	“ / ” (AC/DC 24 V) , (6,7)	()	typical 8 mA
GCA161.1, 166.1 GCA163.1, 164.1	Y (8-2)		DC 0...10 V DC 35 V
	Y (8-2)	Offset U _o Span ΔU	DC 0...35 V DC 0...10 V DC 0...5 V DC 2...30 V
() GCA16..1	U (9-2)		DC 0...10 V DC ± 1 mA
GCA132.1	가 (P1-P2)		0...1000 Ω < 1 W
 GCA..6.1, 164.1	/ 가		6 A resistive, 2 A inductive AC 24...230 V 5°...90° / 5° 0.75 mm ² 0.9 m
	EN 60 529 ()		IP 54
	/		EN 60 730 III II
	()		IEC 721-3-3 / IEC 721-3-2 -32...+55 °C / -32...+70 °C < 95% r. F. / < 95% r. F.
	()		EN 60 730-2-14 (Type 1)
	(1) (EMC):		IEC/EN 61 000-6-2 IEC/EN 61 000-6-1 IEC/EN 61 000-6-3 89/336/EWG 73/23/EWG Radio Communication Act 1992 AS/NZS 3548
GCA132.1x GCA132.1x	CE :		
	CE :	EMC	
A : x x (“ ”)	:	/	81 x 192 x 63 mm 8...25.6 / 6...18 mm 20 mm
		가	
		GCA1..1 / GCA32..1	2 kg / 2.1 kg



	()				
AC 24V	G	1		RD	AC/DC 24 V
	G0	2	black	BK	System neutral
	Y1	6	purple	VT	Pos. signal AC 0 V / AC 24 V, "open"
	Y2	7	orange	OG	Pos. signal AC 0 V / AC 24 V, "close"
	Y	8	grey	GY	Pos. signal DC 0...10 V, 0...35 V
	U	9	pink	PK	Output DC 0...10 V
AC230V	L	3		BR	AC 230 V
	N	4		BU	(N)
	Q11	S1	/	GY RD	A
	Q12	S2	grey/blue	GY BU	Switch A Normally closed contact
	Q14	S3	grey/pink	GY PK	Switch A Normally open contact
	Q21	S4	black/red	BK RD	Switch B Input
	Q22	S5	black/blue	BK BU	Switch B Normally closed contact
	Q24	S6	black/pink	BK PK	Switch B Normally open contact
potentiometer	a	P1	/	WH RD	↗ 0...100 % (P1-P2)
	b	P2	white/blue	WH BU	Potentiometer pick-off
	c	P3	/	WH PK	↗ 100...0 % (P3-P2)



: mm