



OpenAir™

GBB...1 GIB...1

, AC 24 V / AC 230 V

20 Nm (GBB)

35 Nm (GIB)

: , 3- (On/Off)

:

0.9m

가 : Off-set / Span ,

, Self-adaption ¹⁾ ,

1) Self-adaption :

(GBB, GIB))

- 3 m² (GBB) 6 m² (GIB)
- 3- (On/Off) . (;)
- 가 . (가

| GBB.../GIB... | 131.1E | 135.1E | 136.1E | 331.1E | 335.1E | 336.1E | 161.1E | 163.1E | 164.1E | 166.1E | |
|---|-------------|--------|--------|--------|--------|--------|--------|--------|--------|--------|--|
| | 3- (On/Off) | | | | | | | | | | |
| AC 24 V | ○ | ○ | ○ | | | | ○ | ○ | ○ | ○ | |
| AC 230 V | | | | ○ | ○ | ○ | | | | | |
| Y DC 0...10 V | | | | | | | ○ | | | ○ | |
| DC 0...35 V Off-set / Span (U _o , ΔU) | | | | | | | | ○ | ○ | | |
| U = DC 0...10 V | | | | | | | ○ | ○ | ○ | ○ | |
| 1kΩ | | ○ | | | ○ | | | | | | |
| (2) | | ○ | ○ | | ○ | ○ | | | ○ | ○ | |
| | | | | | | | ○ | ○ | ○ | ○ | |
| () 가 | ○ | ○ | ○ | ○ | ○ | ○ | | | | | |






| | GBB.3.1 / GIB.3.1 | GBB/GIB16.1 |
|---|-------------------|--|
| | 3- (On/Off) | |
| Off-set / Span (U _o , ΔU) () | | DC 0...35 V Offset U _o = 0...5 V and span ΔU = 2...30 V |
| | (/) ... | |
| | | DIL |
| | | (U = DC 0...10V) |
| | | U DIL |
| | : 0° 90° | (SPDT) 5° 가 |
| | 가 | 가 |
| | | (가 : 5°) |

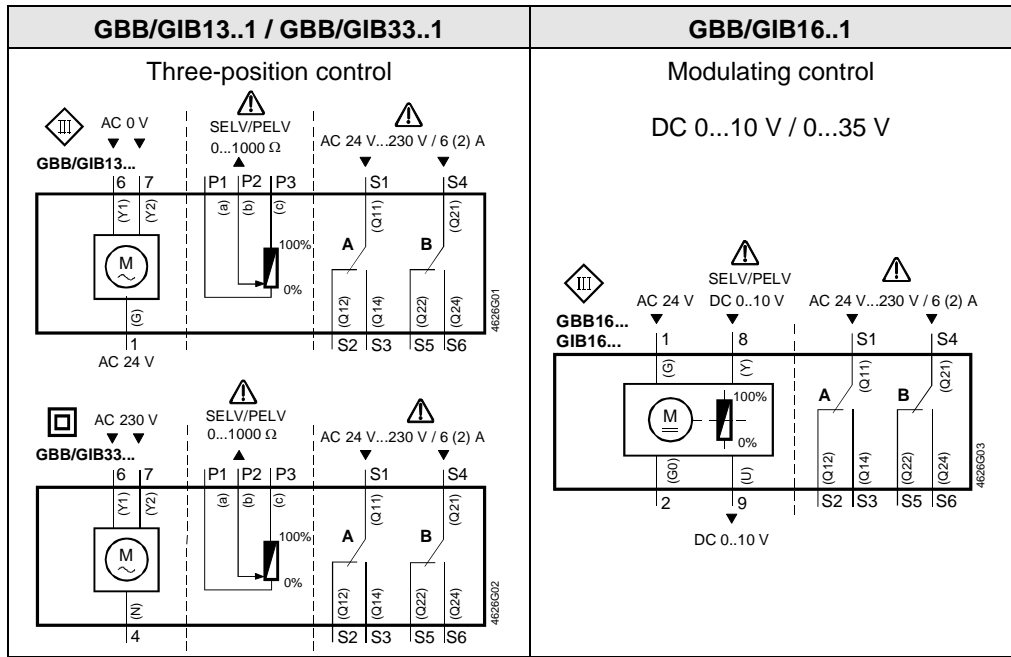
가

.(

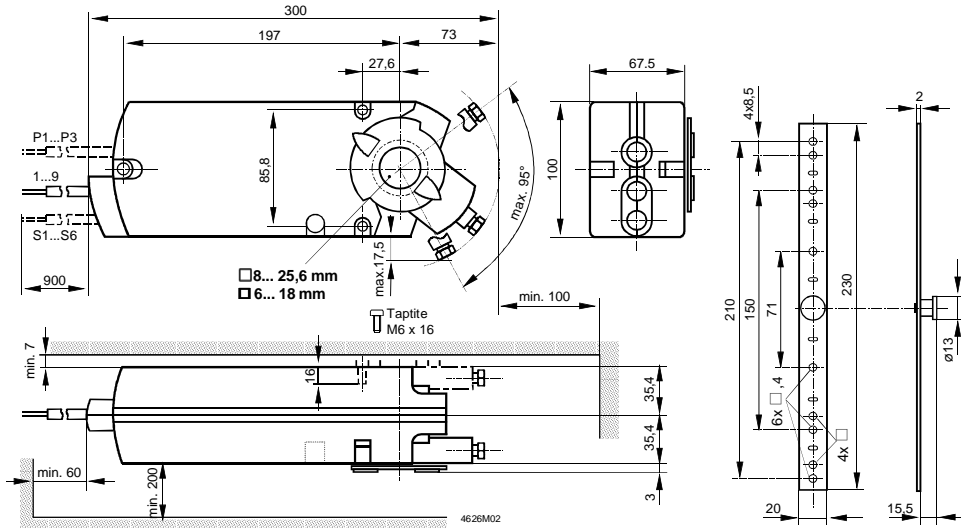
.)

/

| | | | | |
|---|--------------------------|--|--|--|
|  | AC 24 V (SELV/PELV) | / | GBB/GIB13..1 GBB/GIB16..1 GBB/GIB16..1 | AC 24 V ± 20 % / 50/60 Hz 5 VA, 5 W / 10 VA, 10 W 4 VA, 2 W / 6 VA, 4 W 1 W / 2 W |
|  | AC 230 V | / | GBB/GIB33..1 | AC 230 V ± 10 % / 50/60 Hz 8 VA, 5 W / 13 VA, 10 W |
| | | | | 20 Nm GBB 35 Nm GIB 40 Nm GBB 75 Nm GIB |
| | | 90° | | 90° / max. 95° ± 2° 150 s (50 Hz) / 125 s (60 Hz) |
| GBB/GIB16..1 | | Y (8-2) | | DC 0...10 V DC 35 V |
| | | Y (8-2) | | DC 0...35 V DC 0...10 V |
| GBB/GIB161.1, 166.1 GBB/GIB163.1, 164.1 | | | Offset U _o Span ΔU | DC 0...5 V DC 2...30 V |
| () GBB/GIB16...1 | | U (9-2) | | DC 0...10 V DC ± 1 mA |
| GBB/GIB135.1, 335.1 | | 가 (P1-P2) | | 0...1000 Ω < 1 W |
|  | GBB/GIB..4.1/..5.1/..6.1 | | | 6 A resistive, 2 A inductive AC 24...230 V 5°...90° 5° |
| | | 가 | | 0.75 mm ² 0.9 m |
| | | EN 60 529 () | | IP 54 |
| | | AC 24 V, AC 230 V, | | EN 60 730 III II |
| | | / | | IEC 721-3-3 / IEC 721-3-2 -32...+55 °C / -32...+70 °C < 95% r. F. / < 95% r. F. |
| | | () | | EN 60 730-2-14 (Type 1) |
| | | : | | IEC/EN 61 000-6-2 IEC/EN 61 000-6-1 IEC/EN 61 000-6-3 |
| | | (1) (EMC): GEB132.1x; GEB332.1x GEB132.1x; GEB332.1x | | |
|  | | : | | 89/336/EWG 73/23/EWG |
|  | EMC | : | | Radio Communication Act 1992 AS/NZS 3548 |
| | | : x x (" ") | | 100 x 300 x 67.5 mm 8...25.6 mm 6...18 mm 20 mm |
| | | 가 | | 2 kg |



| | | | | | |
|---------|-------------------------------|--|----------------------------------|----------------------------------|--|
| | | | | () | |
| AC 24V | G G0 Y1 Y2 Y U | 1 2 6 7 8 9 | | RD BK VT OG GY PK | AC 24 V AC 0 V () AC 0V () DC 0...10 V, 2...10 V, 0...35 V DC 0...10 V |
| AC 230V | N Y1 Y2 | 4 6 7 | | BU BK WH | (N) AC 230 V () AC 230 V () |
| | | Q11 Q12 Q14 Q21 Q22 Q24 | S1 S2 S3 S4 S5 S6 | / / / / / / | GY RD GY BU GY PK BK RD BK BU BK PK A A A B B B |
| | a b c | P1 P2 P3 | / / / | WH RD WH BU WH PK | 가 0...100 % (P1-P2) 가 100...0 % (P3-P2) |



: mm