

## Gas Burner Controls

**LGB...**



The LGB... are designed for use with gas burners of small to medium capacity, with or without auxiliary fan, in intermittent operation\*.

The gas burner controls are tested to EN298 and CE certified in compliance with the directives for gas-fired appliances and electromagnetic compatibility.

\* For safety reasons (self-test of flame supervision circuit, etc.), at least one controlled shutdown must take place every 24 hours.

### Use

The burner controls LGB... are used for the startup and supervision of single- or two-stage gas or gas / oil burners having a capacity of up to 350 kW in intermittent operation. The flame is supervised with either an ionization current detector electrode, a blue flame detector QRC1... for forced draught gas / oil burners, or a UV detector QRA... (with auxiliary unit AGQ1...), depending on the type of burner control used.

When used with the appropriate adapters, these burner controls replace their predecessors LFI7..., LFM1... and LFD... in terms of function and size (please also refer to «Replacement types» under «Ordering»). Other application-related features:

- Detection of undervoltages in compliance with the respective standards
- Air pressure supervision with functional check of the air pressure monitor during startup and operation
- Possibility of electrical remote reset
- Burner controls LGB41... for use with atmospheric gas burners

## Type summary

The type references contained in the following table refer to burner controls with **no** base and with **no** flame detector. For ordering information on bases and other accessories, please refer to «Mechanical design» through «Flame supervision with UV detector QRA... and auxiliary unit AGQ... for LGB21.../ 22.../ 41...».

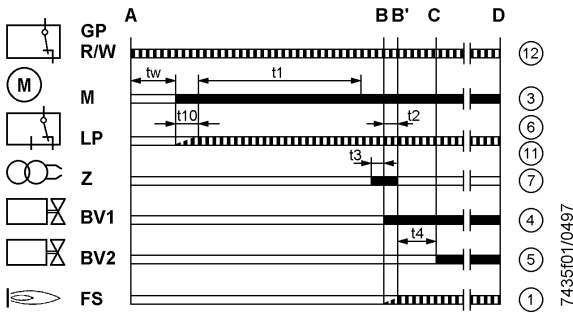
Flame detector	Type reference	Approved in:	tw/s ca.	t1/s min.	t2/s max.	t3n/s ca.	t3/s ca.	t4/s ca.	t5/s 9) max.	t10/s min.	t11/s 3) max.	t12/s 3) max.	t20/s ca.
<b>Burner controls with air damper control for pre-purging with low flame air volume</b>													
Detector electrode (FE) or UV detector QRA...	<b>LGB21.130A27</b> 4)7)	CH, EU, S, SF	8	7	3	2.4	2	8	-	5	-	-	6
	<b>LGB21.230A27</b> 5)	CH, EU, S, SF	8	15	3	2.4	2	8	-	5	-	-	38
	<b>LGB21.330A27</b> 5)	CH, EU, H, S, SF	8	30	3	2.4	2	8	-	5	-	-	23
	<b>LGB21.350A27</b> 5)7)	CH, EU, H, S, SF	8	30	5	4	2	10	-	5	-	-	21
	<b>LGB21.550A27</b> 5)	AUS, CH, EU	8	50	5	4	2	10	-	5	-	-	2
<b>Burner controls with air damper control for pre-purging with rated air volume</b>													
Detector electrode (FE) or UV detector QRA...	<b>LGB22.130A27</b> 4)	CH, EU, N, S	9	7	3	2.4	3	8	-	3	12	12	21
	<b>LGB22.230B27</b> 5)	CH, U, N, S, SF	9	20	3	2.4	3	8	-	3	16.5	16.5	2
	<b>LGB22.330A27</b> 5)7)	AUS, CH, EU, H, N, S, SF	9	30	3	2.4	3	8	-	3	12	11	2
	<b>LGB22.330A270</b> 5)8)	EU	9	30	3	2.4	3	8	-	3	12	11	2
Blue flame detector QRC1...	<b>LGB32.130A27</b> 4)10)	CH, EU	9	7	3	2.4	3	8	-	3	12	12	21
	<b>LGB32.230A27</b> 5)10)	CH, EU	9	20	3	2.4	3	8	-	3	16.5	16.5	2
	<b>LGB32.330A27</b> 5)7)	CH, EU	9	30	3	2.4	3	8	-	3	12	11	2
	<b>LGB32.350A27</b> 5)7)	CH, EU	9	30	5	4.4	1	10	-	3	12	9	2
<b>Burner controls for atmospheric burners</b>													
Detector electrode (FE) or UV detector QRA...	<b>LGB41.258A27</b> 2)5)7)	CH, EU, H SF	18	-	5	4	2	10	9	-	-	-	10

### Legend

tw	Waiting time	2)	For atmospheric burners up to 120 kW
t1	Checked pre-purge time	3)	Maximum running time provided for the air damper actuator
t2	Safety time	4)	Also for flash steam generators
t3n	Post-ignition time	5)	Also for stationary direct fired air heaters
t3	Pre-ignition time	7)	Also available for 100...110 V; in that case, the last two digits read ...17 in place of ...27
t4	Interval BV1-BV2 or BV1-LR	8)	Without integral microfuse. Use only in connection with a base AGK86... or with an external microfuse of 6.3 A slow!
t5	Second safety time (only with LGB41...)	9)	t5 + reaction time of flame relay
t10	Specified time for air pressure signal	10)	On request
t11	Programmed time for opening actuator SA		
t12	Programmed time for closing actuator SA		
t20	Interval up to self-shutdown of the programming mechanism		

## LGB21...

Burner controls for single- or two-stage forced draught burners.  
Air damper control for pre-purging with **low flame air volume**.



### Connection examples

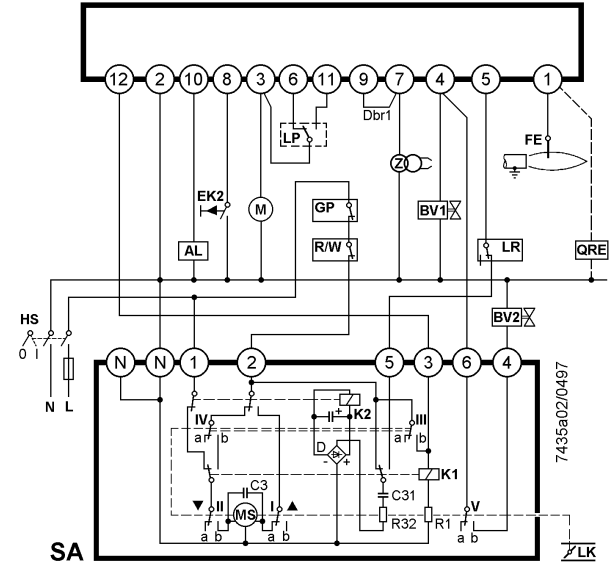
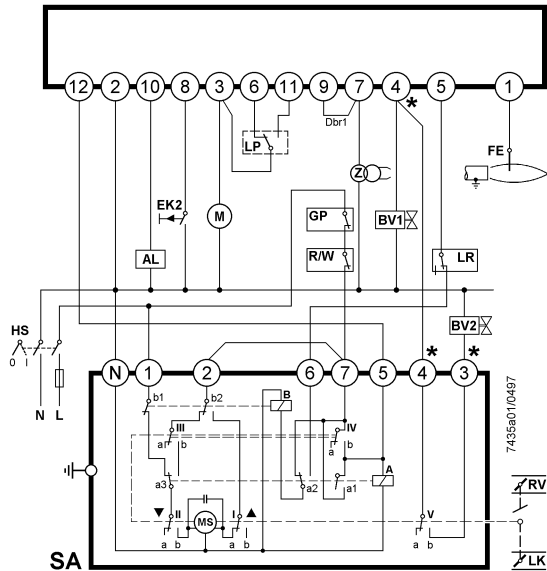
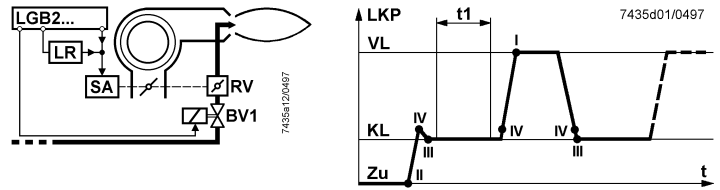
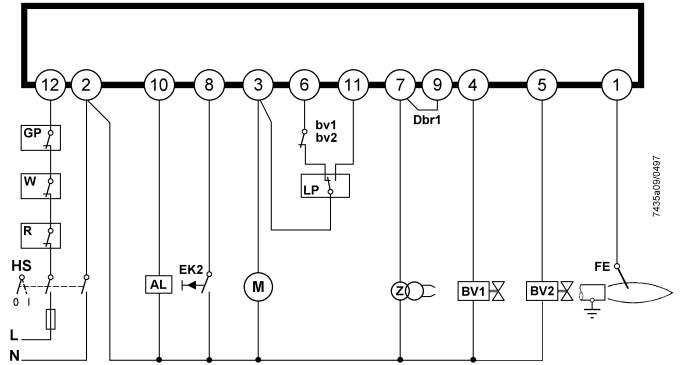
Air damper control of two-stage or two-stage modulating burners.  
Pre-purge ( $t_1$ ) with low flame air volume. Exactly the same low flame air damper position (cam III) during startup and operation!

For detailed information about the air damper actuators, please refer to the following data sheets:

SQN30...: data sheet 7808  
SQN90.../91...: data sheet 7806

## Flame supervision

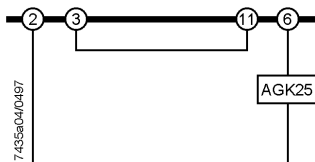
LGB21...: with detector electrode or with auxiliary unit AGQ1...,  
for UV detector QRA...



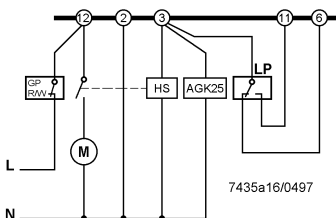
### SQN3...121...

\* **Note:** in the case of two-stage modulating burners (with gas regulation damper RV) BV2 and the connection between the terminals marked (\*) in the diagram are not required.

Burner without fan and **without LP**



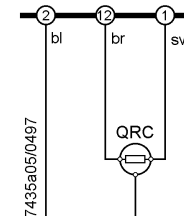
Burner with fan control via auxiliary contactor (HS) **with LP**  
**Not valid for LGB41...**



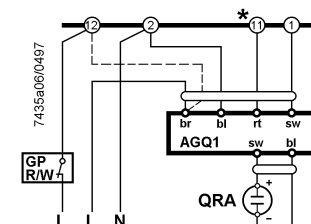
### SQN91.140.../two-stage control

QRC1... with LGB3... (see above)

QRA... with auxiliary unit AGQ1... on LGB2.../LGB4... (see below)



bl blue  
br brown  
rt red  
sw black  
\* With LGB41... terminal 3

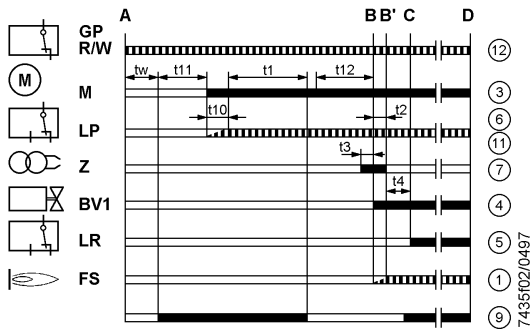


## LGB22.../32...

Burner controls for single- or two-stage forced draught burners.  
Air damper control for pre-purging with **high flame air volume**.

## Flame supervision

**LGB22...**: with detector electrode or with auxiliary unit AGQ1...,  
UV detector QRA...  
**LGB32...**: with blue flame detector QRC1...



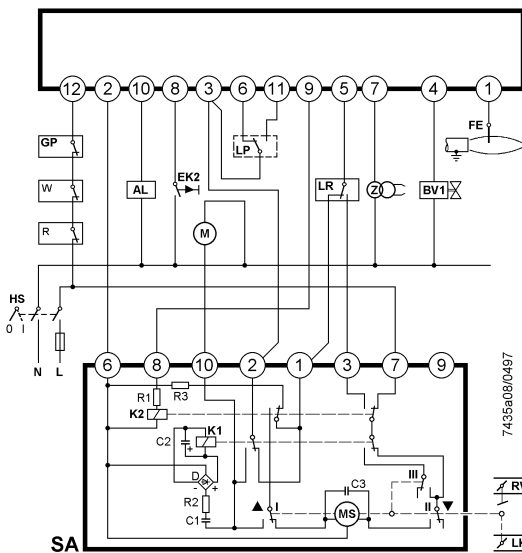
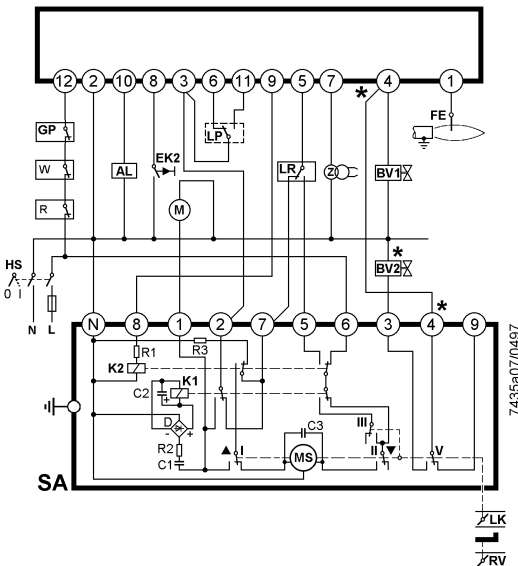
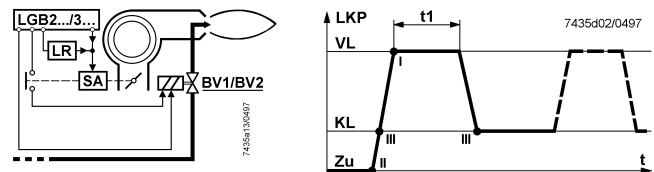
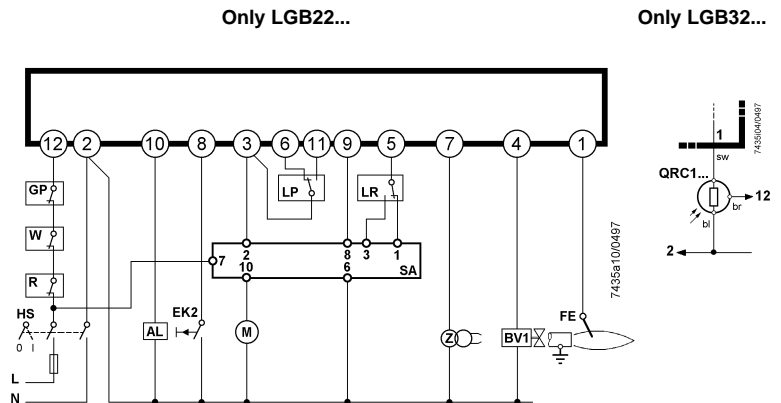
### Connection examples

Air damper control of two-stage or two-stage modulating burners.  
Pre-purge ( $t_1$ ) with rated air volume.

For detailed information about the air damper actuators, please refer to the following data sheets:

SQN30...: data sheet 7808

SQN90.../ 91...: data sheet 7806



### SQN3...151... or SQN3...251...

**Note:** in the case of two-stage modulating burners (with gas regulation damper RV), BV2 and the connection between the terminals marked (\*) in the diagram are not required

### SQN90.220.../two-stage modulating control

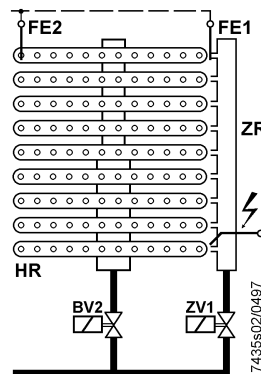
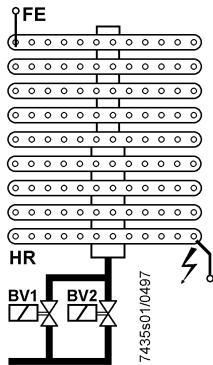
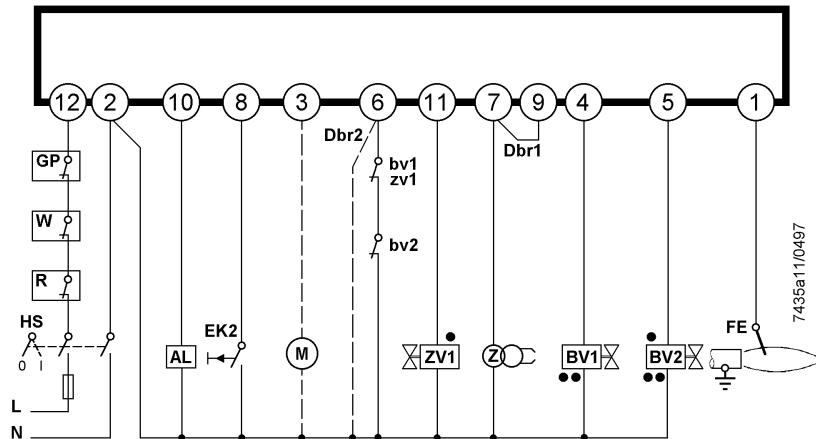
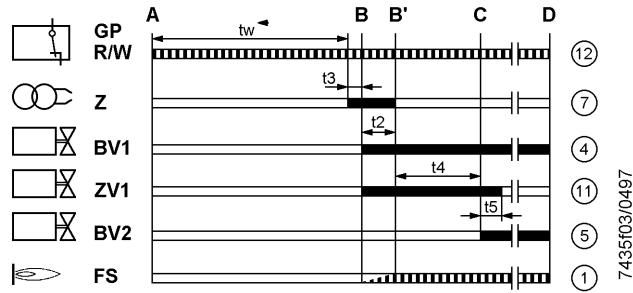
### Legend

- A Startup (controlled startup by «R»)
- B-B' Interval for flame establishment
- C Running position of burner or enabling of second stage by load controller LR
- D Controlled shutdown by «R»
- tw Waiting time
- t1 Checked pre-purge time
- t2 Safety time
- t3 Pre-ignition time
- t4 Interval BV1-BV2 / LGB22.../ 32...: Interval BV1-LR
- t5 Second safety time
- t10 Specified time for air pressure signal
- t11 Programmed time for opening actuator SA
- t12 Programmed time for closing actuator SA
- ▬ Required input signals
- ▬ Burner control output signals

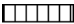

- AL Fault status signal (alarm)
- BV Fuel valves
- bv Auxiliary switch in the fuel valves (for closing check)
- Db1 Wire link
- Db2 Wire link, required if contact «bv» or «zv1» is not present
- EK2 Remote reset button
- FE Detector electrode
- FS Flame signal
- GP Gas pressure monitor
- HS Mains isolator
- KL Low flame
- L Live
- LKP Air damper position
- LP Air pressure monitor
- LR Load controller
- M Fan motor
- N Neutral
- R Control thermostat or pressure controller
- SA Air damper actuator SQN...
- VL High flame
- W Thermal reset limit thermostat or safety limit thermostat
- Z Ignition transformer

# LGB41...

Burner controls for atmospheric gas burners with or without auxiliary fan. **No** air damper control. Flame supervision with detector electrode.



## Legend

A	Startup (controlled startup by «R»)	AL	Fault status signal (alarm)
B-B'	Interval for flame establishment	BV	Fuel valves
C	Running position of burner or enabling of second stage by load controller LR	bv	Auxiliary switch in the fuel valves (for closing check)
D	Controlled shutdown by «R»	Dbr1	Wire link
tw	Waiting time	Dbr2	Wire link, required if contacts «bv» or «zv1» are not present
t2	Safety time	EK2	Remote reset button
t3	Pre-ignition time	FE	Detector electrode
t4	Interval BV1-BV2	FS	Flame signal
t5	Second safety time	HR	Main burner
	Required input signals	HS	Mains isolator
	Burner control output signals	L	Live
•	Connection of valves in the case of pilot burners with main flame supervision	M	(Auxiliary) fan motor
••	Connection of valves in the case of two-stage atmospheric burners with supervision of the first stage (BV1)	N	Neutral
		R	Control thermostat or pressure controller
		W	Thermal reset limit thermostat or safety limit thermostat
		Z	Ignition transformer
		ZR	Pilot burner
		ZV1	Pilot gas valve
		zv1	Auxiliary switch in pilot gas valve

## Notes on the electrical installation of burner controls LGB...

To isolate the burner control from the mains network, an all-polar isolator with a contact gap of at least 3 mm is required.

Switches, fuses, earthing, etc., must be in compliance with local standards and regulations.

Protection against electric shock hazard on the burner control and on all associated electrical items must be ensured by appropriate mounting.

The earthing lug in the terminal base must be secured with a metric screw and a lock washer or similar.

The connection diagrams shown apply to burner controls with earthed neutral. In the case of ionization current supervision in networks with **non**-earthed neutral, terminal 2 must be connected to the earth conductor via an RC unit.

**Part no. of RC unit: ARC 4 668 9066 0**

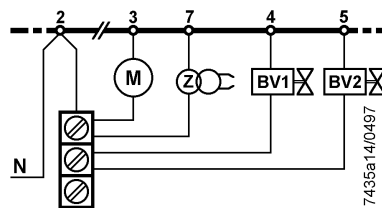
The maximum permissible switching capacity of the connection terminals must not be exceeded.

From externally, no mains voltage may be fed to the burner control's control outputs. This means that when checking the functioning of devices controlled by the burner control (gas valves or similar), the burner control may **never** be plugged in.

**In the case of burners with no fan motor, an AGK25.00A27 (230 V) or AGK25.00A17 (110 V) must be connected to terminal 3 of the burner control, or else, the burner cannot be started.**

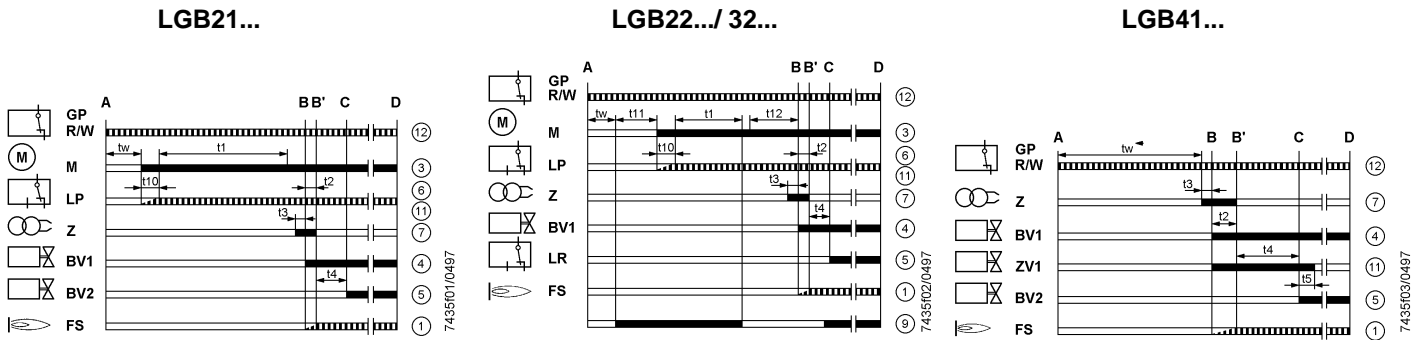
For safety reasons, it is absolutely essential to feed the neutral wire to the neutral distributor in the plug-in base or to terminal 2 and from there to the different units (fan, ignition transformer and gas valves), or to an external neutral distributor.

Correct connection via the neutral distributor of the plug-in base:



**Caution! Do not open the burner control!  
Burner controls are safety devices.  
Any unauthorized interference can result in unforeseen detrimental consequences!**

# Functions



The function diagrams show the required or permissible input signals for the control part and the flame supervision circuit hatched. If these input signals are not present, the burner control will interrupt the startup sequence and initiate lockout where this is required by safety regulations.

The LGB... are capable of detecting **undervoltages**. This means that load relay AR will be de-energized if the mains voltage falls below 160 V (for nominal 220...240 V) or 75 V (for nominal 100...110 V). The burner control will automatically attempt a restart when the supply voltage again exceeds 160 V or 75 V respectively.

## Conditions for burner startup

- Burner must be reset
- The contacts of the gas pressure monitor «GP», of the thermal reset limit thermostat or pressure monitor «W» and of the control thermostat or controller «R» must be closed
- Fan motor must be connected
- Air pressure monitor must be in the idle position

## Startup program

A-C Startup program

### A Start command (controlled startup)

This command is initiated by «R». Terminal 12 receives voltage and the programming mechanism starts. After the waiting time « $t_w$ » with the LGB21... has lapsed and after the actuator SA has driven the air damper to the high flame position (that is, on completion of « $t_{11}$ ») with the LGB22.../32..., the fan motor will be started.

### tw Waiting time

During this period of time, the air pressure monitor and the flame relay are tested for correct contact positions.

### t11 Programmed opening time for actuator SA

(Only with LGB22.../32...): the fan motor is started only after the air damper has reached the high flame position.

### t10 Specified time for air pressure signal

On completion of this period of time, the set value of air pressure must have built up, or else lockout will be initiated.

### t1 Pre-purge time

Purging the combustion chamber and the secondary heating surfaces: with low flame air volume with the LGB21... and with high flame air volume (rated air volume) with the **LGB22.../32...** The «Type summary», and the functional and programming mechanism diagrams show the so-called **checked pre-purge time  $t_1$** , during which the «LP» must indicate that the required air pressure has built up. The effective pre-purge time comprises the interval end of « $t_w$ » / start of « $t_3$ ».

- t12 **Programmed closing time for actuator SA**  
(Only with LGB22.../ 32...): during «t12», the air damper travels to the low flame position.
- t3n **Post-ignition time**  
Ignition time during the safety time. Just before reaching the end of the safety time «t2», the ignition transformer is switched off. This means that the ignition time «t3n» is somewhat shorter than the safety time «t2». This is necessary in order to give the forcedly closed flame relay sufficient time to drop out if there is no flame.
- t3 **Pre-ignition time**  
During this period of time and up to the end of the safety time «t2», the flame relay is forced to close. On completion of «t3», fuel release is initiated at terminal 4 or at terminal 11 of the LGB41...
- t2 **Safety time**  
On completion of «t2», there must be a flame signal at input 1 of the flame signal amplifier, which must be continuously present until controlled shutdown occurs, or else the flame relay will be de-energized, the burner control will initiate lockout and remain locked in the fault position.
- t4 **Interval**  
LGB21...: time to the release of the second fuel valve  
LGB22.../32...: on completion «t4», the heat generating equipment is controlled in function of the load (enabling of load controller)  
LGB41...: time to the release of the second fuel valve
- t5 Only LGB41...:  
**Second safety time** for pilot burners with main flame supervision equipped with a pilot gas valve «ZV1».
- B-B' **Interval for flame establishment**
- C **Running position of burner reached**
- C-D **Burner operation** (heat generation)  
High flame operation or, in connection with a load controller, partial load.
- D **Controlled shutdown by «R»**  
The burner is immediately shut down and the programming mechanism is ready for a new start.

#### Control program in the event of faults

Basically, if there is a fault, the fuel supply is immediately shut down. If the fault condition occurs at a time between start and pre-ignition, which is not indicated by symbols, the cause is usually the air pressure monitor «LP» shutting down, or a premature (that is, faulty) flame signal.

- **After a mains voltage failure or in the event of undervoltage:** startup repetition with unabridged program
- **In the event of a premature flame signal** from the start of the pre-purge time: immediate lockout
- **In the event the contacts** of the air pressure monitor «LP» have welded during «tw»: no start
- **If there is no air pressure signal:** lockout on completion of «t10»
- **In the event of an air pressure failure** on completion of «t10»: immediate lockout
- **If the burner does not ignite:** lockout on completion of «t2»
- **If flame is lost during operation:** immediate lockout

#### Resetting the burner control

The burner control can **immediately** be reset after each lockout.



## Lockout and control program indicator

### Burner control

The position of the programming mechanism can be viewed through the window on the front of the burner control. In the event of a fault, the program mechanism is stopped and thus the lockout indicator also. The symbol visible on the cam indicates both the position in the program sequence and the type of fault according to the following legend:

- ◀ No start because the start control loop is interrupted
- |||| Interval «tw» or «t10» (LGB21...)  
Interval «tw» or «t11» (LGB22.../ 32...)  
Interval «tw», «t3» or «t2» (LGB41...)
- ▲ Air damper fully open (LGB22.../ 32...)
- ⊞ Lockout due to absence of air pressure signal
- ◀◀◀ Interval «t1», «t3» and «t2» (LGB21...)  
Interval «t1», «t3» («t12») (LGB22.../ 32...)
- ▼ Release of fuel
- 1 Lockout because there was no flame signal on completion of the first safety time  
Enabling of second fuel valve (LGB41...)
- 2 Enabling of load controller (LGB22.../ 32...)  
Lockout because there was no flame signal on completion of the second safety time (LGB41...)
- 3 Low or high flame operation (or return to the running position)

----

### Mechanical design

The burner controls are of plug-in design and very compact (measuring only 91 x 62 x 63 mm, including the base). The housing is made of impact-proof, heat-resistant plastic and accommodates

- the programming mechanism with the synchronous motor
- the electronic flame signal amplifier with the flame relay and the other switching devices
- the splashwater-proof lockout reset button with integrated fault indication lamp

The **plug-in base** is also made of impact-proof and heat-resistant plastic and can be supplied either with screw terminals or clip connectors. The cable is introduced either from the front or the side using the cable gland holder AGK65... or the cable holder AGK66... . It can also be introduced from the bottom.

The two narrow sides of the base are provided with catches which engage in the housing when the latter is plugged in. To disengage, a screwdriver must be slightly tilted in the appropriate guiding slots.

Length and width of the base and location of the fixing holes and the lockout reset button are identical with those of the predecessor units LFM... and LFI7... .

## Ordering

<b>Burner control</b> (without base)	refer to «Type summary»
<b>Flame detectors</b>	
– Ionization current detector electrode	delivered by others
– UV detector QRA...	see data sheet 7714
– Blue flame detector QRC1...	see data sheet 7716
<b>RC unit</b> for supervision of ionization current in networks with <b>non</b> -earthed neutral	<b>ARC 4 668 9066 0</b>
<b>PTC resistor</b> to generate load on terminal 3 (compulsory with burners with no fan motor connected to terminal 3)	<b>AGK25.00A27</b> (230 V) <b>AGK25.00A17</b> (110 V)
<b>Auxiliary unit for UV supervision</b> can be fitted under the LGB... plug-in base, height 27.5 mm	<b>AGQ1.1A27</b> (cable length 500 mm) <b>AGQ1.2A27</b> (cable length 300 mm)
<b>Plug-in base</b> , without cable gland and cable holder. 2 holes of 16.2 mm dia. for cable entry from below	
– With screw terminals	<b>AGK11</b>
– For clip connectors	<b>AGK12</b>
<b>Clips</b>	
– Separately, 100 pieces each	<b>AGK 4 408 5625 0</b>
– On straps, 10,000 pieces each	<b>AGK 4 408 5626 0</b>
<b>Mounting / removal tool</b>	
– Mounting tool	<b>KF8883</b>
– Removal tool	<b>KF8884</b>
<b>Cable gland holder</b> , for 5 x Pg11, can be pushed into the base	<b>AGK65</b>
<b>Cable holder</b> , can be pushed into the base, with 6 knockout cable entries (without cable tension relief) of which there is 1 x 8.8/17 mm dia., entry on the side and 3 x 7 mm dia. and one rectangular opening 6 x 20 mm on the front	<b>AGK66</b>
<b>Pedestal</b> (empty housing) for increasing the height of the LGB... (62.5 mm) to that of the LFM... or LFI7... (90 mm)	<b>AGK21</b>
<b>Service adapter</b> with signal lamps for functional check, detector current measurement, etc., of the burner control	<b>KF8872</b>
<b>Test case</b> for checking the functions of the burner control	<b>KF8843</b>
<b>Adapters / replacement types</b> for LFI7..., LFM1... and LFD... (No rewiring required)	

<b>LGB21...</b> with adapter	KF8852 KF8880 KF8880 KF8857	LFI7... LFM1... LFM1...-F LFD1...
<b>LGB22...</b> with adapter	KF8853-K KF8880	LFI7... LFM1...
<b>LGB41...</b> with adapter	KF8862 KF8858	LFM1... LFD2.35

## Flame supervision with detector electrode

The conductivity and the rectifying effect of hot flame gases are used for flame supervision. For this purpose, an AC voltage is applied to the heat-resistant detector electrode which projects into the flame. The current which flows in the presence of a flame (ionization current) produces the flame signal for the input of the flame signal amplifier. The amplifier is designed such that it responds only to the **DC current component** of the flame signal, thereby ensuring that no short-circuit can be simulated between detector electrode and earth (since in that case an AC current would flow).

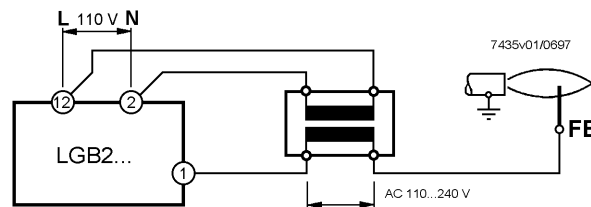
**Basically, the flame supervision circuit is insensitive to adverse effects of the ignition spark on the ionization current.**

**However, should these effects exceed a certain level, the electrical connections on the primary side of the ignition transformer must be changed and / or the siting of the ignition electrode against the ionization electrode is to be checked.**

### Ionization current supervision with 110 V burner controls

Since the ionization current with 110 V burner controls is only about 50 % of that with 220 V burner controls, it is sometimes necessary to increase it by means of a transformer. Capacity of transformer: 2 VA min.; ratio approx. 1.1...1.5; primary and secondary windings galvanically separated.

### Connection of transformer



## Technical data

### Burner control

Mains voltage	230 V -15 %/+10 % (LGB32...!) 100 V -15 %...110 V +10 %	Mains frequency	50 Hz -6 %...60 Hz +6 %
Input current to terminal 12	5 A <sup>1)</sup> max.	Power consumption	3 VA
Perm. loading on terminals		Radio interference protection	N to VDE0875
- Terminal 3	3 A max. (15 A during 0.5 s max.)	Primary fuse	10 A max., slow
- Terminal 4, 5, 7	2 A max.	Degree of protection	IP40
- Terminal 10	1 A max.	Mounting position	optional
- Terminal 12 (at U <sub>max</sub> 264 V)	5 A max.	Weight, without/with base	approx. 230/310 g
Length of cable terminal 8 and terminal 10	20 m	Weight AGK65... or AGK66...	approx. 12 g
Environmental conditions		<b>Identification code to EN298</b>	
- Transport	IEC721-3-2 class 2K2	<b>LGB21.../ 22... F T L L X N</b>	<b>with two-stage operation</b>
Climatic conditions		<b>LGB32...</b>	<b>F M L L X N</b>
Temperature	-50...+60 °C		<b>with two-stage operation</b>
Humidity	< 95 % r.h.	<b>LGB41...</b>	<b>A B L L X N</b>
Mechanical conditions	class 2M2		<b>with two-stage operation</b>
- Operation	IEC721-3-3 class 3K5		<b>(BV1+BV2 or ZBV+BV2)</b>
Climatic conditions			<b>A M L L X N</b>
Temperature	-20...+60 °C		<b>with single-stage operation</b>
Humidity	< 95 % r.h.		
CE conformance		According to the directives of the European Community	
- Transport		Electromagnetic compatibility EMC	89/336 EEC includ. 92/31 EEC
Climatic conditions		Gas appliance directive	90/396 EEC
Temperature		Emissions	EN 50081-1
Humidity		Immunity	EN 50082-2

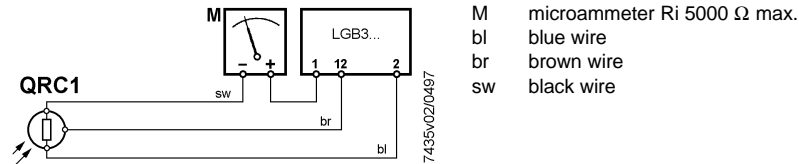
**Condensation, formation of ice and ingress of water are not permitted.**

## Flame supervision with blue flame detector QRC1...

The QRC1... has been designed specifically for blue burning flames. Light incidence is from the front or the side. The detector is secured by means of a soft plastic plug. Connection is made with a 3-wire cable (pre-amplifier integrated in the detector casing). For design features and application, refer to data sheet 7716.

Operating voltage	230 V $\pm$ 10 %, 50 Hz	Power consumption	0.35 VA
Perm. detector current during pre-purge time (dark current)	5 $\mu$ A	Length of detector cable	see data sheet 7716
Min. detector current required during operation	50 $\mu$ A	Degree of protection	IP40
Weight (includ. 350 mm cable)	29 g	Perm. ambient temperature	-20...+60 °C (short-time 60 s max., 75 °C max.)

Measurement circuit with blue flame detector QRC1...



## Flame supervision with UV detector QRA... and auxiliary unit AGQ... for LGB21.../ 22.../ 41...

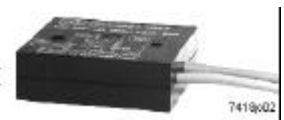
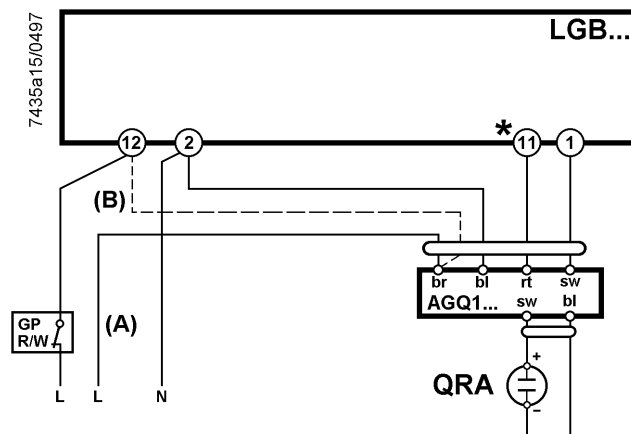
UV detector QRA...

Flame detector for universal use with gas and gas / oil burners. Light incidence from the front or the side, total length 97 mm, available with normal or, as QRA2M, increased sensitivity. Secured by means of a flange and clamp. Also available as a metal-encapsulated version in the form of the QRA10.... For details, please refer to data sheet 7712.

Auxiliary unit AGQ...

When used in connection with burner controls LGB..., a special UV auxiliary unit AGQ... is required. This unit is connected to the mains via two cables and to the burner control via terminals 1, 2 and 11. There are two possibilities to check the arc-through tendency of aging cells and the UV light, depending on the way the AGQ... is connected (refer to connection diagram below):

- A Operation with permanent phase  
UV test by doubling the supply voltage ( $2 \times U_N = AC 460 V$ ) across the UV cell on startup (that is, until terminal 11 receives voltage) and after the controlled shutdown.
- B Operation with controlled phase  
UV test by doubling the supply voltage on startup only, that is, during the interval between controlled startup and air pressure signal. After a controlled shutdown, there is no voltage across the UV cell. Since in that case an aged UV cell could regenerate and the quench test would be eliminated, this version does not represent a valid substitute for the above described operation «A» with permanent phase.



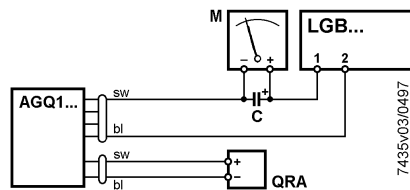
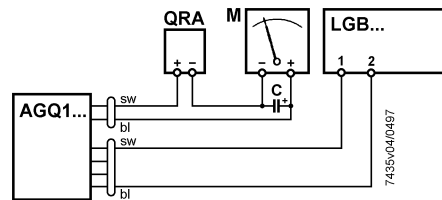
AGQ1.1A27  
AGQ1.2A27

- A Operation with permanent phase  
B Operation with controlled phase  
\* With LGB41...: terminal 3

## Technical data

Mains voltage	220 V -15 %...240 V +10 %	Mains frequency	50 Hz -6 %...60 Hz +6 %
Power consumption	4.5 VA	Radio interference protection	N to VDE0875
Degree of protection	IP40	Mounting position	optional
Perm. ambient temperatures		Weight	approx. 140 g
- During operation	-20...+60 °C	- QRA2...; QRA2M...	60 g
- During transport and storage	-40...+70 °C	- QRA10..., QRA10M...	450 g
Max. perm. length of detector cable	20 m	Max. perm. length of connecting cable	20 m
(use separate cable for connecting the UV detector QRA... to the AGQ1...)		AGQ1... to LGB...	
Detector voltage with no load on the QRA...		at mains voltage UN:	
		220 V	240 V
- Up to the end of «t10» and after controlled shutdown		DC 620 V	DC 675 V
- From the start of «t1»		DC 300 V	DC 300 V
Detector voltage (load by DC measuring instrument, Ri > 10 MΩ)			
- Up to the end of «t10» and after controlled shutdown		DC 500 V	DC 550 V
- From the start of «t1»		DC 280 V	DC 280 V
DC current detector signals with UV detector QRA...			
- a: measurement on LGB...		3 μA	15 μA
- b: measurement on UV detector		200 μA	500 μA

### Measurement circuit with UV detector QRA... and auxiliary unit AGQ1...



C electrolytic capacitor 100...470 μF; DC 10...25 V  
M microammeter Ri 5000 Ω max.  
bl blue  
gr grey  
sw black

---

## Electrical connection of ionization current and UV detectors

It is important that signal transmission will take place with the smallest possible losses:

- With both ionization current and UV supervision, the length of cable for flame detection may not exceed **20 m**
- With both ionization current and UV supervision, the detector cable may not be run together with other conductors in the same cable since line capacitances reduce the magnitude of the flame signal
- The insulation resistance between detector electrode and ground must be at least 50 M $\Omega$ , even after an extensive number of operating hours. Prerequisite for this is not only a high-quality heat-resistant insulation of the electrode cable, but also of the detector electrode itself (ceramic holder)
- A dirty detector electrode holder offers favourable conditions for surface leakage currents which reduce the magnitude of the flame signal
- The burner (as the counter-electrode) must be correctly earthed, or else no ionization current will flow
- Earthing of the boiler alone does not suffice!
- The line, neutral and central point conductors may not be incorrectly connected to terminals 2 and 12 of the burner control, or else there will be no flame signal!

**For electrical connection of blue flame detector QRC1..., please refer to data sheet 7716.**

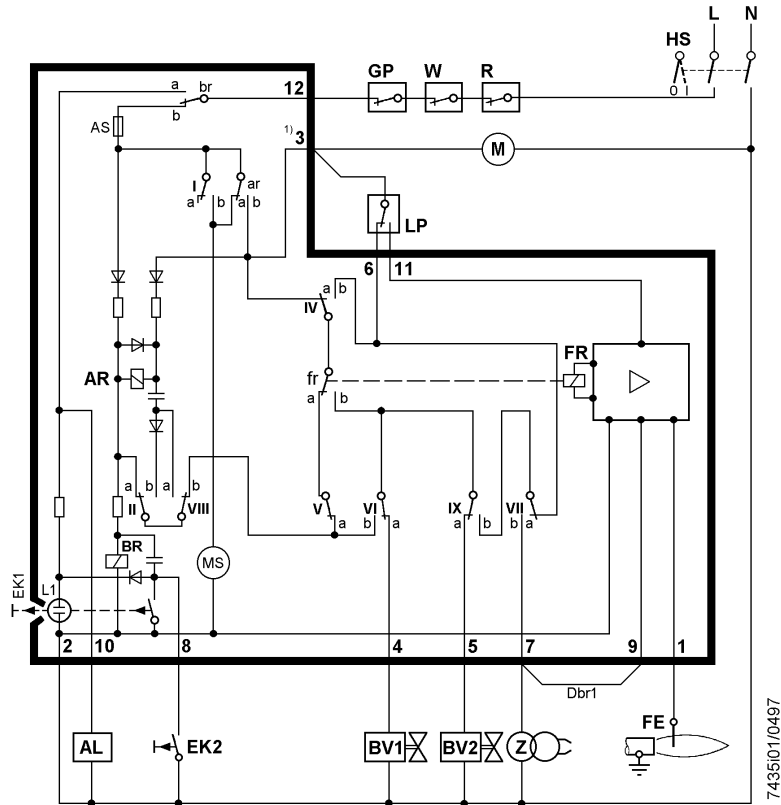
---

## Warnings

- **To protect the burner control from electric overload, both ignition and ionization electrode must be located such that arcing over of the ignition spark to the ionization electrode cannot occur!**
- **In the geographical areas where DIN standards are in use, the installation must be in compliance with VDE requirements, particularly with the standards DIN/VDE0100 and 0722!**
- **Condensation and ingress of humidity must be avoided!**
- **Ignition cables must always be laid separately, maintaining the greatest possible distance to the unit and other cables!**
- **Observe the notes on the laying of detector cables (refer to «Technical data»!**
- **The electrical wiring must be made in compliance with national and local standards and regulations!**
- **LGB... are safety devices. It is therefore not permitted to open, interfere with or modify the units!**
- **Check wiring carefully before putting the unit into operation!**
- **The unit must be completely isolated from the mains before performing any work in the electronic connection area of the LGB...!**
- **Check all safety functions when putting the unit into operation or after changing a fuse!**
- **Ensure protection against electric shock hazard on the unit and at all electrical connections by appropriate mounting!**
- **Electromagnetic emissions must be checked from an application point of view!**
- **All regulations and standards applicable to the particular application must be observed!**
- **Installation and commissioning work must always be carried out by qualified personnel!**
- **The LGB... and this data sheet are intended for use by OEMs that integrate the LGB... in their products!**

# Internal diagram and time diagram of programming mechanisms

LGB21...

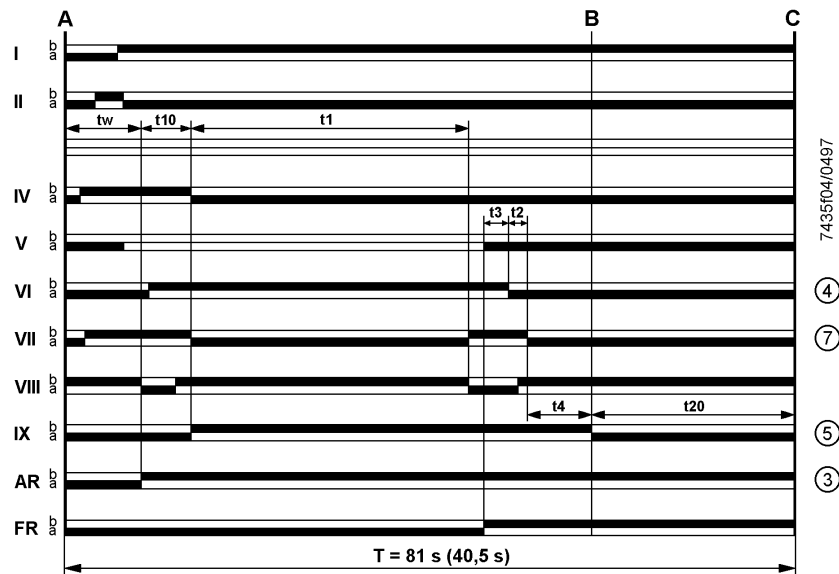


7435101/0497

Legend

- |      |                                 |    |  |
|------|---------------------------------|----|--|
| AL   | Fault status signal (alarm)     | L  | Live   |
| AR   | Load relay with contact «ar»    | L1 | Lockout warning lamp                               |
| BR   | Lockout relay with contact «br» | LP | Air pressure monitor                               |
| BV   | Fuel valves                     | M  | Fan motor  |
| Dbr1 | Wire link                       | MS | Synchronous motor                                  |
| EK   | Lockout reset button            | N  | Neutral  |
| FE   | Detector electrode              | R  | Control thermostat or pressure controller          |
| FR   | Flame relay                     | W  | Thermal reset limit thermostat or pressure monitor |
| GP   | Gas pressure monitor            | Z  | Ignition transformer                               |
| HS   | Mains isolator                  |    |  |

1) The resistance between terminal 3 and N may not exceed 1.6 kΩ max.

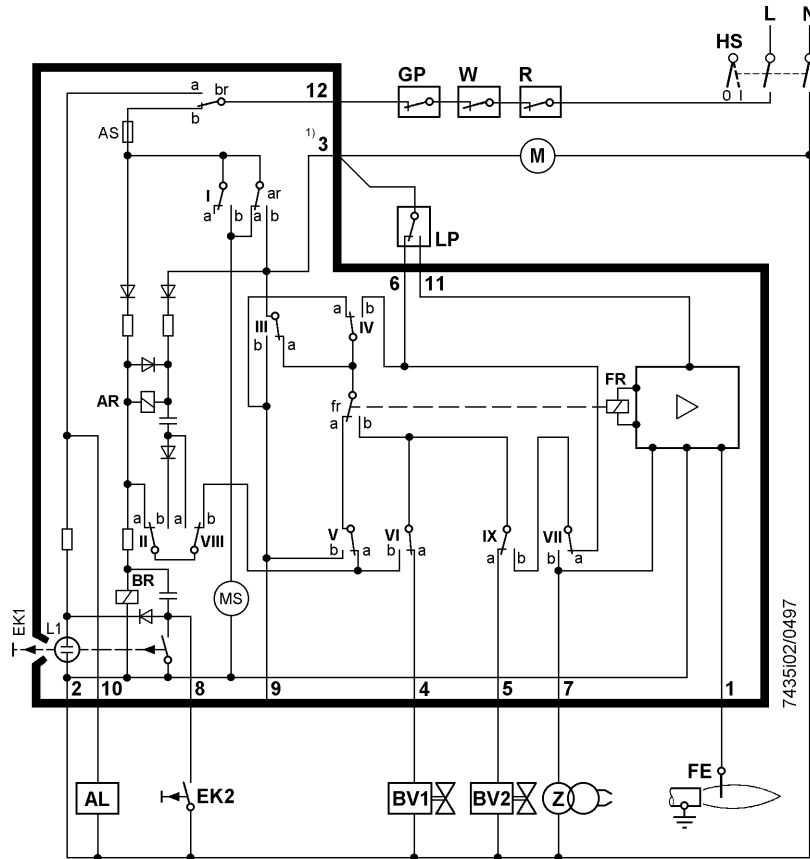


7435104/0497

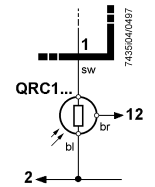
Legend for diagram of programming mechanism

- |        |   |     |   |
|--------|---|-----|---|
| A      | Start position (controlled startup)                         | t2  | Safety time   |
| AR     | Load relay  | t3  | Pre-ignition time                                     |
| B      | Running position of burner                                  | t4  | Interval BV1-BV2                                      |
| C      | Running position of programming mechanism or start position | t10 | Specified time for air pressure signal                |
| FR     | Flame relay   | t20 | Interval up to self-shutdown of programming mechanism |
| tw     | Waiting time  | T   | Total running time of programming mechanism           |
| t1     | Checked pre-purge time                                      |     |   |
| I...IX | Cam switches  |     |   |

Only LGB22...



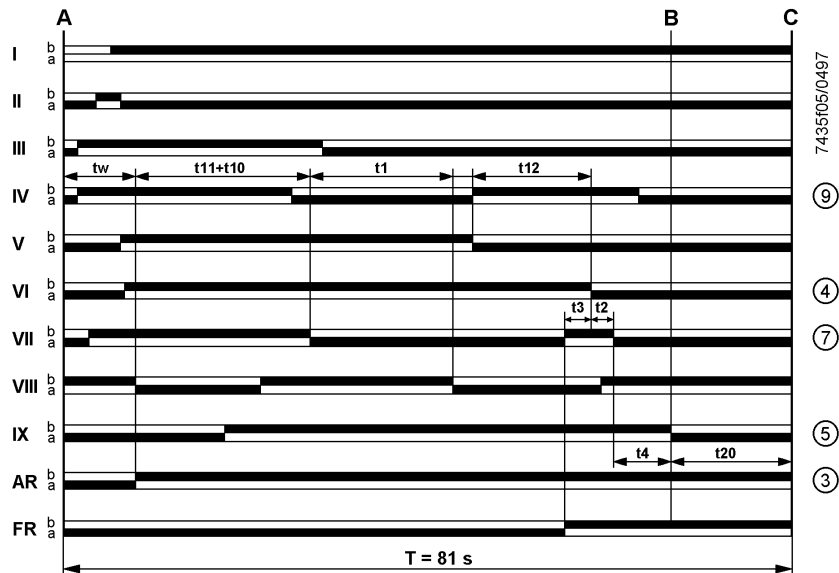
Only LGB32...



Legend

AL	Fault status signal (alarm)	L	Live
AR	Load relay with contact «ar»	L1	Lockout warning lamp
BR	Lockout relay with contact «br»	LP	Air pressure monitor
BV	Fuel valves	M	Fan motor
EK	Lockout reset button	MS	Synchronous motor
FE	Detector electrode	N	Neutral
FR	Flame relay	R	Control thermostat or pressure controller
GP	Gas pressure monitor	W	Thermal reset limit thermostat or pressure monitor
HS	Mains isolator	Z	Ignition transformer

1) The resistance between terminal 3 and N may not exceed 1.6 kΩ max.

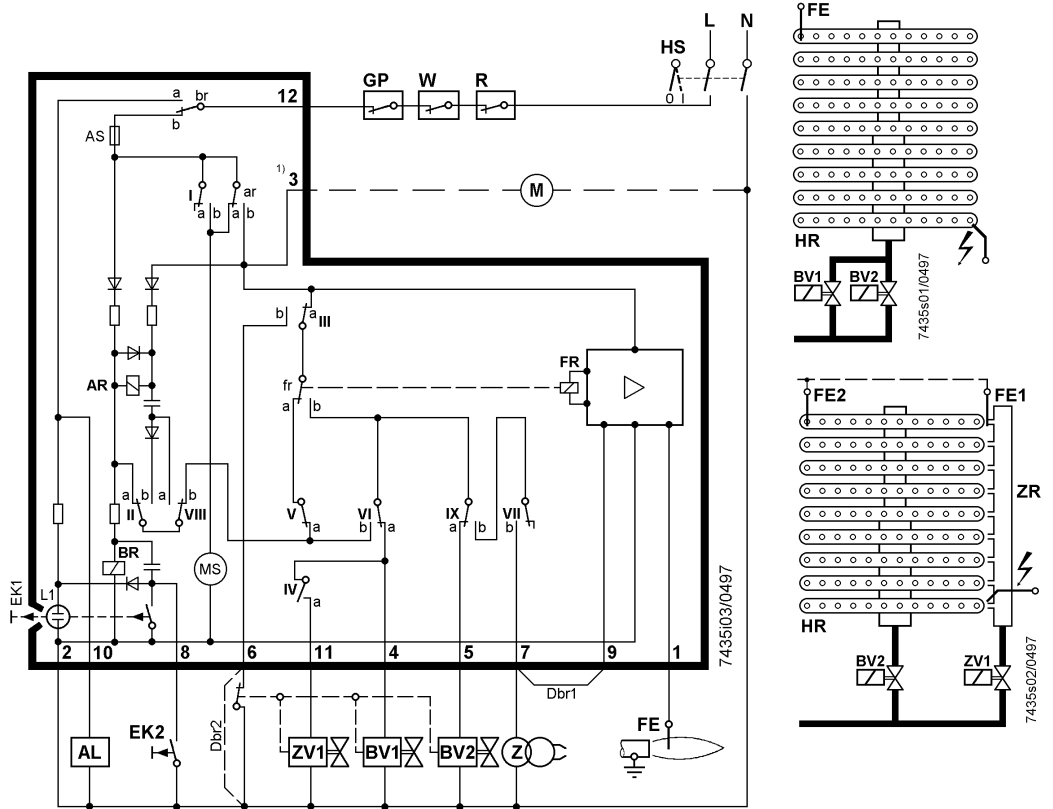


Legend for diagram of programming mechanism

A	Start position (controlled startup)	t2	Safety time
AR	Load relay	t3	Pre-ignition time
B	Running position of burner	t4	Interval BV1-BV2 or BV1-LR
C	Running position of programming mechanism or start position	t10	Specified time for air pressure signal
FR	Flame relay	t11	Programmed time to open the damper SA
tw	Waiting time	t12	Programmed time to close the damper SA
t1	Checked pre-purge time	t20	Interval up to self-shutdown of programming mechanism
I...IX	Cam switches	T	Total running time of programming mechanism



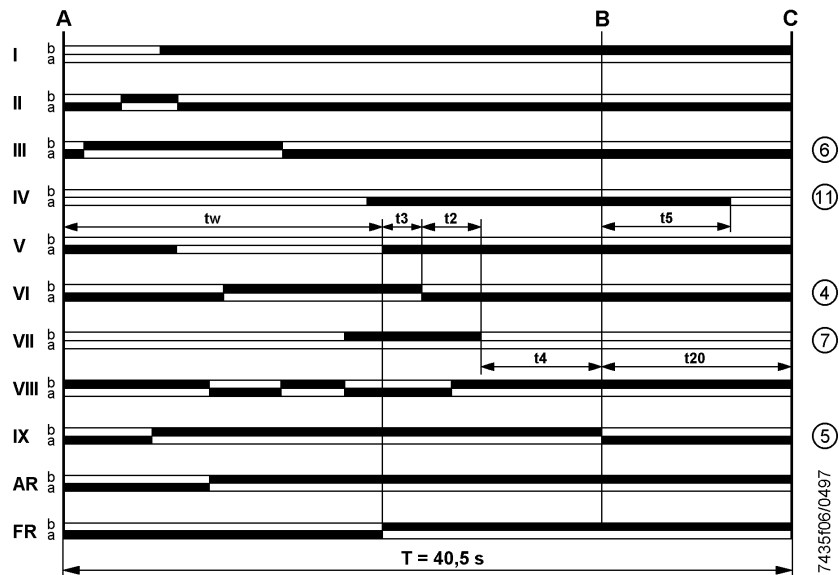
LGB41...



Legend

- |      |  |     |  |
|------|--|-----|--|
| AL   | Fault status signal (alarm)  | L   | Live   |
| AR   | Load relay with contact «ar»   | L1  | Lockout warning lamp   |
| BR   | Lockout relay with contact «br»  | M   | Fan motor  |
| BV   | Fuel valves  | MS  | Synchronous motor  |
| Dbr1 | Wire link  | N   | Neutral  |
| Dbr2 | Wire link terminals 6-2 required when contacts «bv» or «zv1» are not present | R   | Control thermostat or pressure controller  |
| EK   | Lockout reset button   | W   | Thermal reset limit thermostat or pressure monitor                                   |
| FE   | Detector electrode   | Z   | Ignition transformer   |
| FR   | Flame relay  | ZR  | Pilot burner   |
| GP   | Gas pressure monitor   | ZV1 | Pilot gas valve in place of BV1 in case of pilot burners with main flame supervision |
| HR   | Main burner  |     |  |
| HS   | Mains isolator   |     |  |

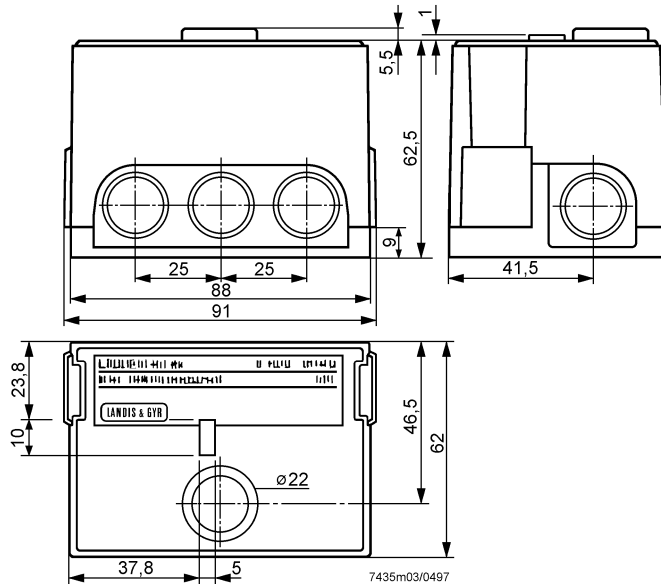
1) The resistance between terminal 3 and N may not exceed 1.6 kΩ max.



Legend for diagram of programming mechanism

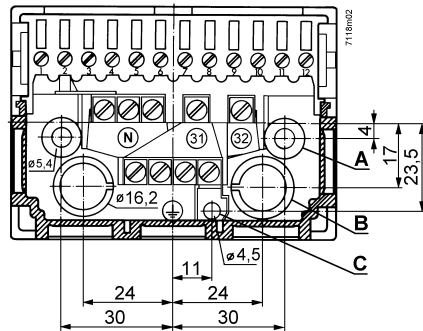
- |        |   |     |   |
|--------|---|-----|---|
| A      | Start position (controlled startup)                         | t2  | Safety time   |
| AR     | Load relay  | t3  | Pre-ignition time                                     |
| B      | Running position of burner                                  | t4  | Interval BV1-BV2                                      |
| C      | Running position of programming mechanism or start position | t5  | Second safety time                                    |
| FR     | Flame relay   | t20 | Interval up to self-shutdown of programming mechanism |
| tw     | Waiting time  | T   | Total running time of programming mechanism           |
| I...IX | Cam switches  |     |   |

## Dimensions Burner control



Burner control with base  
AGK11... and cable gland  
holder AGK65..., (can be  
pushed into the base)

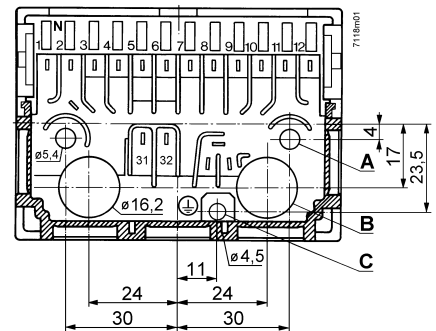
## Base



### AGK11...

Plug-in base with screw terminals.  
Hatched: position of cable gland holder or cable  
holder, can be pushed into the base.  
«B»: holes for cable entry.  
«31», «32»: auxiliary terminals.  
«N»: neutral terminals, connected to neutral input  
(terminal 2).

Bottom: 4 earth terminals, joining a lug for earthing  
the burner.



### AGK12...

Plug-in base for clip connections.  
Hatched: position of cable gland holder or cable  
holder, can be pushed into the base.  
«B»: holes for cable entry from below.

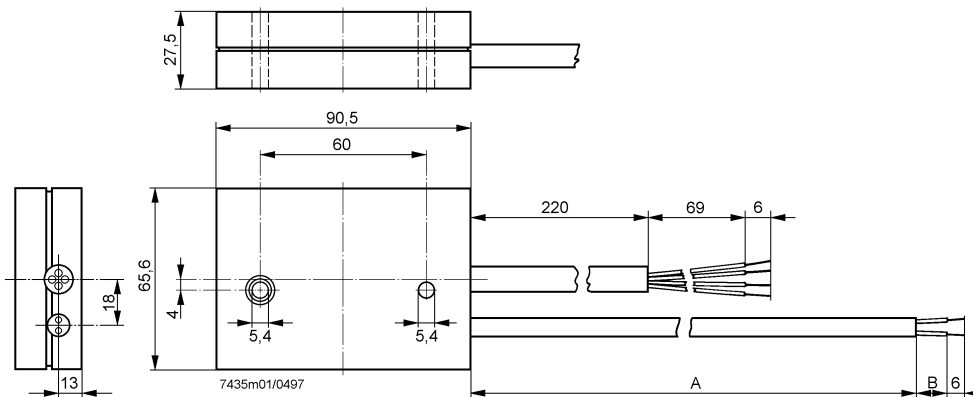
#### Connection choices:

1,3 a. 4 each	4 clips max.	Earthing: total of 6 clips, connected to lug «C» for earthing the burner
2	8 clips max.	
5 through 10	3 clips max.	
11, 12 each	4 clips max.	
31, 32 each	2 clips max.	

#### Mandatory: (AGK11... and AGK12...)

Connection of earthing lug «C» and of fixing screws  
in «A» to the ground of the burner (using a metric  
screw with lockwasher or similar!)

## UV auxiliary unit AGQ1...



Type reference	Dimension	
	A	B
AGQ1.1A27	500	19
AGQ1.2A27	300	34