

Mounting instruction(

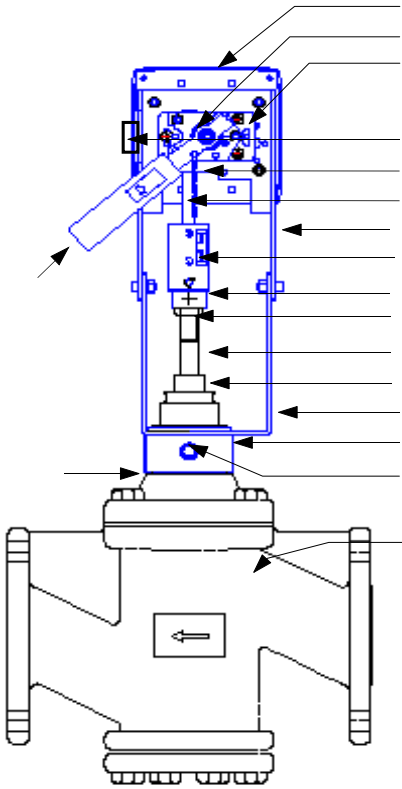
- M)

Type: ALX67.4+V6F65...

Mounting instruction for ALX67.4.. on Sauter valves.. Type:V6F65..~150F. (ALX67.4..) : V6F65..~150mm

Locate the actuator on top of the valve yoke and push down. refer to Fig.2

Fig.1



2
Locate the Auto/Man selector knob to Man for you to move the manual handle freely up 270 Deg.angle.

MAN
270

Screw down the lock nut of the spindle and fasten the spring box until the mounting yoke meet the meeting point. Refer to Fig 3

x 3

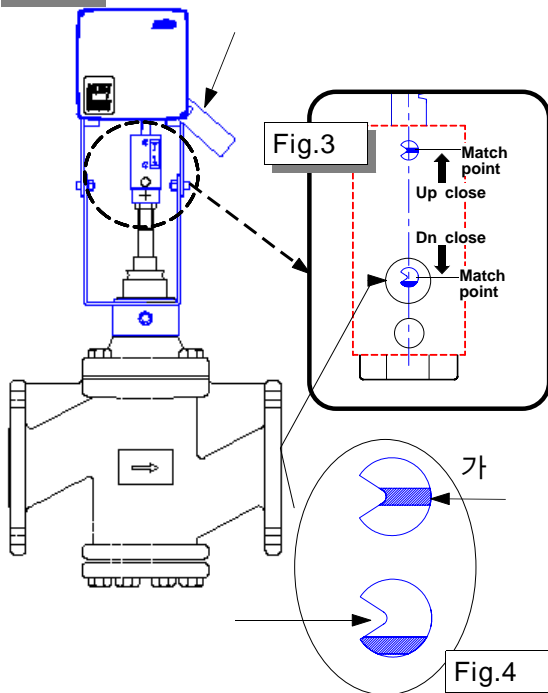
3
Fasten 3 bolts to the valve yoke to meet the the slot of the yoke.

가

Check the valve structure whether the valve spindle up to close or down to close.

가

Fig.2



Adjust the Zero point by turning the adapter until the zero pointer match to the point.

Give the control signal to [0=close] and wait until the motor shaft turn to [0]

가 [0]

Fasten the lock nut of the valve stem to the spring cushion side.

Turn the Auto/Man selector to Auto then the actuator will be positioned automatically to following the signal from the controller. refer to Fig.4

Auto

(LED)

Then see the commissioning instructions.