

Work with

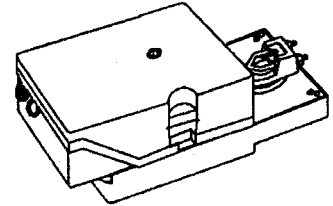
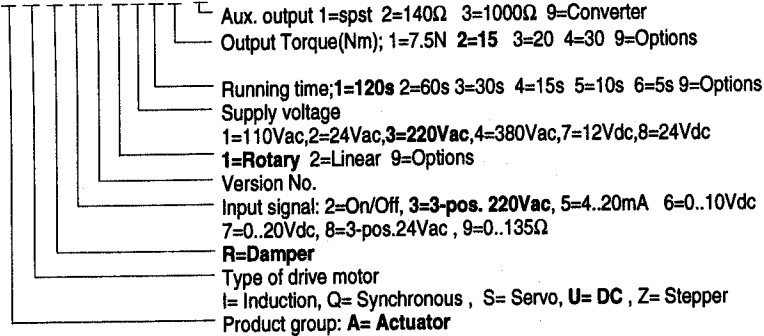
- * ATI
- * Barber coleman
- * Honeywell
- * Johnson
- * Landis & Gyr
- * Satchwell
- * Sauter
- * Staefa
- * T/A
- * TEG
- * Others

Electric Rotary Actuators

DC motor drives, 3-position controls, 220Vac with electronic safety system

AUR35.1.

AUR35.1312 0



Description

Electrical actuator, 3-position control, rotating angle is 90°, DC motor drive without spring return.

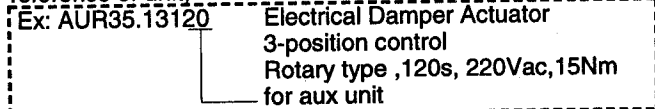
Application

In heating, ventilating, air conditioning and other industrial installations for control of air dampers, fire dampers and other ventilating openings located not in the living spaces.

The application allows a bit of noise from the units. Signals from other controllers are also acceptable.

Ordering Specification

When ordering, please give full designation and type reference of unit;



Technical Data

Supply voltage	220V ac ± 20%
Frequency	50Hz / 60Hz
Power source	DC motor
Power consumption	3VA...
Running time	125- 200s at 50/60Hz
Model of control	3-position(std)
Travel / angular rotation	92°(std)
Noise level	>45[dB]
Nominal Force[f]	12-18Nm(std)
Control signal	
Neutral	N (C)
Control signal (Y1)	P1 (A)
Control signal (Y2)	P2 (B)
Aux. output	Optional
Resistance	0...1000Ω (0...100%)
Switching	10(3) 24...250Vac
Weight	1.Kg
Permissible amb.temp.	
Operation	-15...+50°C
Transport & storage	-30...+65°C
Permissible amb.humid.	class D to DIN 40040
Protection standard of housing	IP54 to DIN 40050
Max. medium temp.	+150 °C
Cable entry glands	PG11

Accessories;

position indication unit	
-potentiometer	-0...140
-potentiometer	-0...1000

position alarm switch

-snap action switch

10(3)A 24...250Vac

Estimated life time

-Drive motor

App.: 400,000 cls

-Gear train

App.: 1,000,000 cls

Summary of types

Type Nr.	Output Torque	Running time 50/ 60Hz	Space for Aux.units			
			0	1	2	3
AUR35.13110	7.5Nm	125s - 200s	0	SW	140Ω	1000Ω
AUR35.13120	15Nm	125s - 200s	0	SW	140Ω	1000Ω
AUR35.13130	20Nm	125s - 200s	0	SW	140Ω	1000Ω
AUR35.13140	30Nm	125s - 200s	0	SW	140Ω	1000Ω
AUR35.13210	7.5Nm	40s 90s	0	SW	140Ω	1000Ω
AUR35.13220	15Nm	40s 90s	0	SW	140Ω	1000Ω
AUR35.13230	20Nm	40s 90s	0	SW	140Ω	1000Ω
AUR35.13310	7.5Nm	20s 50s	0	SW	140Ω	1000Ω
AUR35.13320	15Nm	20s 50s	0	SW	140Ω	1000Ω
AUR35.13410	7.5Nm	10s 30s	0	SW	140Ω	1000Ω

Function

The actuator is controlled by a standard pulse signal of line voltages received from conventional electronic controller or DDC unit. It provides electronic on/off position control which, in conjunction with ATI or any compatible venturi type air dampers or air valves.

When microprocessor based control units which gives programmed pulse signals used P,PI,PID control also possible with a unit of equal percentage flow characteristics.

Auxiliary units

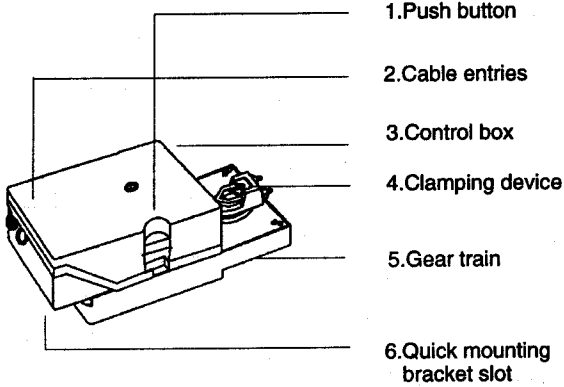
Control output U with a 0...10Vdc control signal allows control of the following units:

- Indication units
- On / Off switching units

Design Features

Actuator are supplied as separate units. Assembling them requires neither special tools nor adjustments.

- Maintenance free electrical actuator with DC motor
- A switch on PCB can reverse the rotation of the actuator.
- Blocking proof gear train with self-lubrication sintered bearings
- Quick mounting bracket make easy installation.
- Gear train is made of aluminum die-cast and specially coated for corrosion proof.
- Important gears are made of sintered metal or special tool steel and heat treatment.



Application Advice

For further information on the complete regulating unit consist of actuator and valve also refer to the Data Sheet of the various type of valves, 43000... 44999.

Observe the permissible temperatures. For details refer to <Application > and <Technical Data>

Data Sheet 34001 contains basic system data on POLYTEK. All hints and explanations given in this sheet must be observed.

All units connected to terminals Y and U, together with the AUR..., must be connected to the same G0.

The factory fitted link across terminals R and M may be removed only if a unit is connected between these terminals.

Mounting and Installation Advice

Mounting positions:

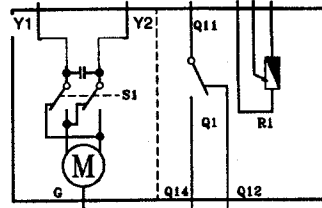
The actuator's mounting instructions are supplied in the box of the unit.

Commissioning Advice

When commissioning the installation, check the wiring and make a functional test.

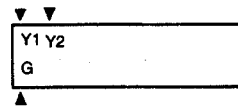
Wiring Diagram

Internal Diagram



G = Operating voltage 24Vac
Y1=system potential(SP)
Y2=system neutral(SN)

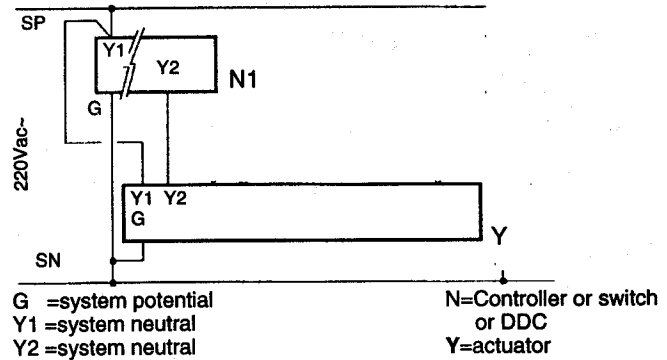
Connecting terminals



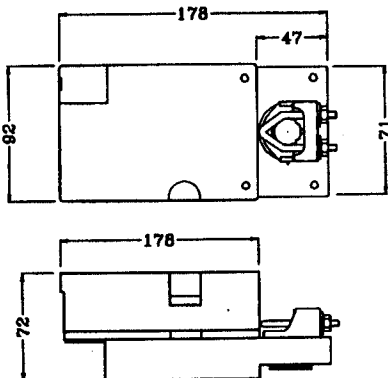
S1 = Change-over switch
Q1 = Switch unit
R1 = Potentiometer
M = DC motor

Wiring diagram

The wiring diagram shows all possible connections. How many and which of these are used depends on the system involved.



Dimensions



Dimensions in mm

We reserve the right to make changes and improvements in our products which may affect the accuracy of the information contained in this leaflet.